

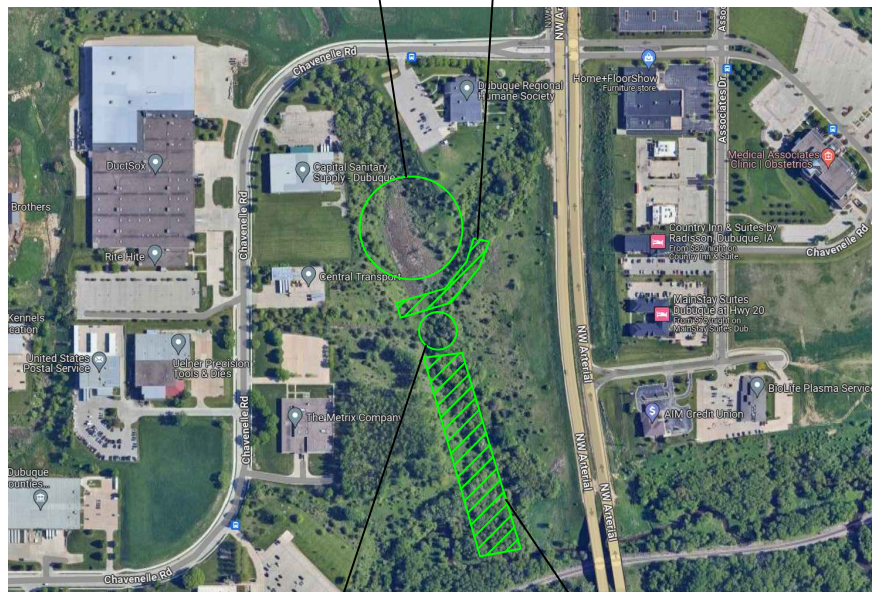
# CITY OF DUBUQUE STORMWATER CLIMATE ACTION PLAN

795 JULIEN DUBUQUE DRIVE  
DUBUQUE, IOWA 52003

## PROJECT LOCATION MAP

TEST BASIN 2

DAM



OUTLET

CORRIDOR

## INDEX OF DRAWINGS

### DAM MODIFICATION

- 1.1
- 1.2

SPILLWAY FRONT VIEW  
SPILLWAY PROFILE

### OUTLET MODIFICATION

- 2.1
- 2.2
- 2.3

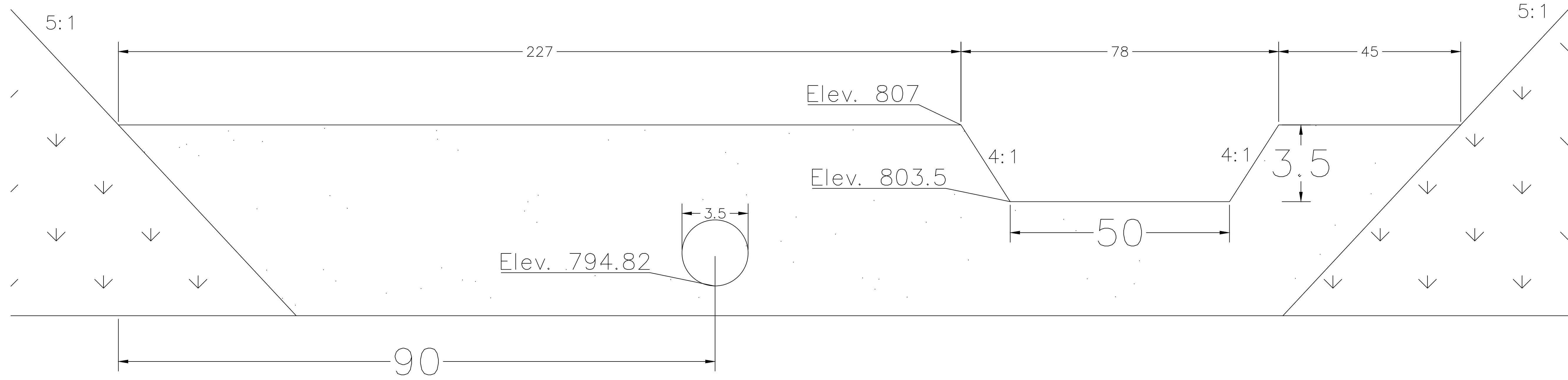
INLET DRAWINGS  
INLET PROFILE  
CONSTRUCTION SPECIFICATIONS

### STREAM CORRIDOR MODIFICATION

- 3.1
- 3.2
- 3.3
- 3.4

CHANNEL SECTION SHEETS  
CHANNEL PLAN AND PROFILE 1  
CHANNEL PLAN AND PROFILE 2  
TWO STAGE CHANNEL DESIGN

W



|           |           |
|-----------|-----------|
| PROJECT:  | CEE: 4850 |
| DATE :    | 4/3/24    |
| DRAWN BY: | TRH       |
| REVISION: |           |

**THE UNIVERSITY OF IOWA**  
**CIVIL AND ENVIRONMENTAL ENGINEERING**  
 4105 SEAMANS CENTER FOR THE  
 ENGINEERING ARTS AND SCIENCES  
 103 S CAPITOL ST  
 IOWA CITY, IOWA 52242  
 PHONE: 319.335.5647  
 FAX: 319.335.5660  
 EMAIL: [civil-hawks@iowa.edu](mailto:civil-hawks@iowa.edu)

EDUCATIONAL - NOT  
 FOR CONSTRUCTION

**CLIMATE ACTION PLAN**  
 795 JULIEN DUBUQUE DRIVE  
 DUBUQUE, IOWA 52003

SHEET NAME  
 SPILLWAY  
 FRONT VIEW

SHEET NO.  
**1.1**

|           |           |
|-----------|-----------|
| PROJECT:  | CEE: 4850 |
| DATE :    | 4/5/2024  |
| DRAWN BY: | TRH       |
| REVISION: |           |

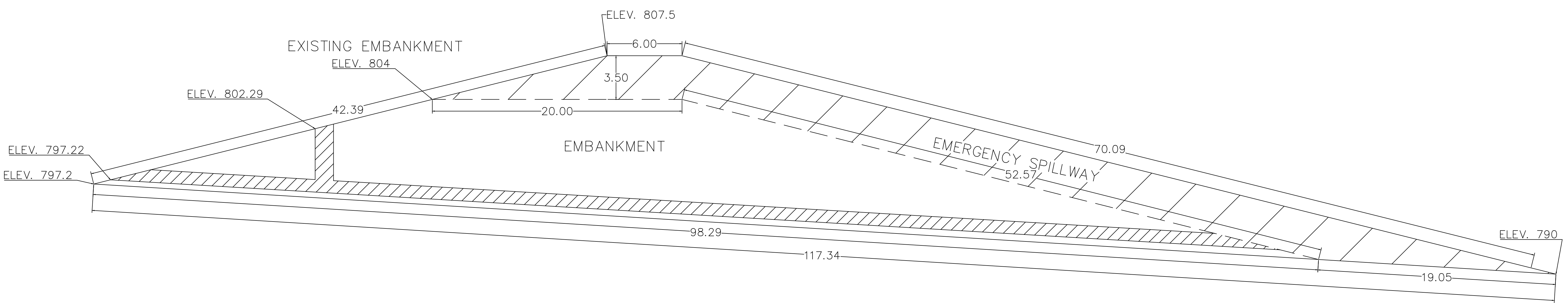
**THE UNIVERSITY OF IOWA**  
**CIVIL AND ENVIRONMENTAL ENGINEERING**  
 4105 SEAMANS CENTER FOR THE  
 ENGINEERING ARTS AND SCIENCES  
 103 S CAPITOL ST  
 IOWA CITY, IOWA 52242  
 PHONE: 319.335.5647  
 FAX: 319.335.5660  
 EMAIL: civil-hawks@iowa.edu

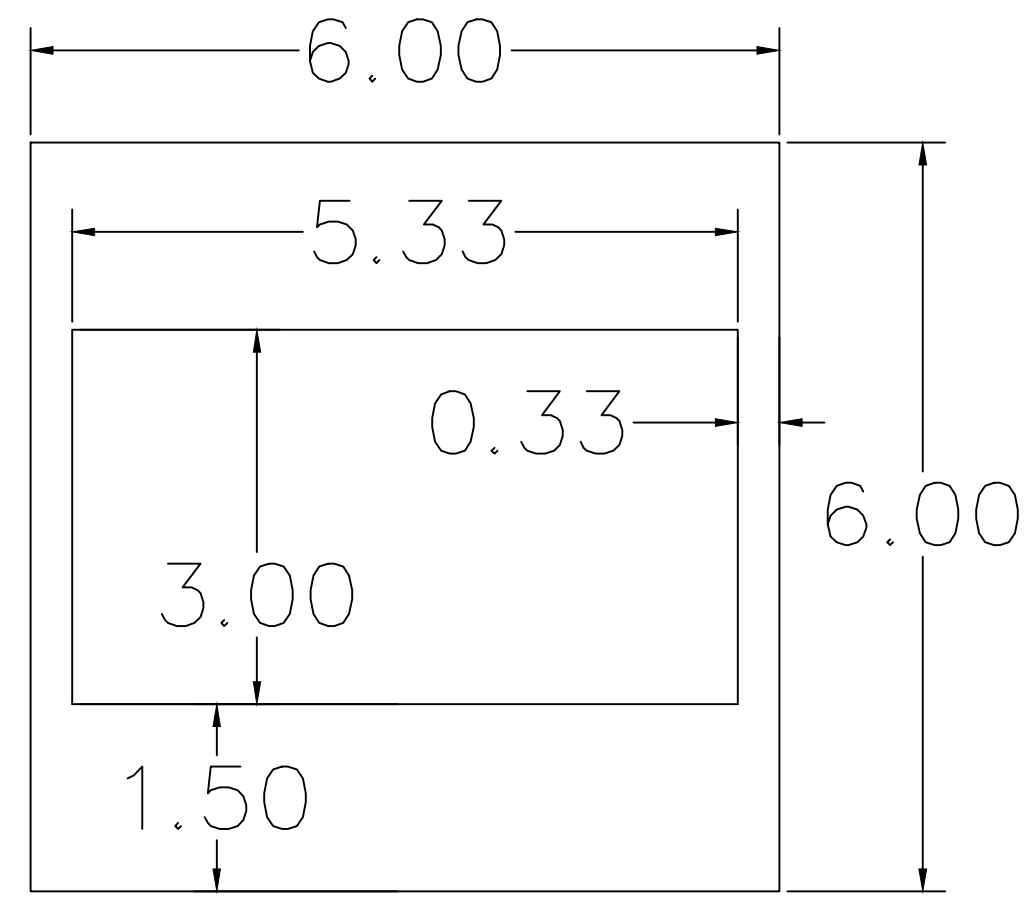
EDUCATIONAL - NOT  
 FOR CONSTRUCTION

**CLIMATE ACTION PLAN**  
 795 JULIEN DUBUQUE DRIVE  
 DUBUQUE, IOWA 52003

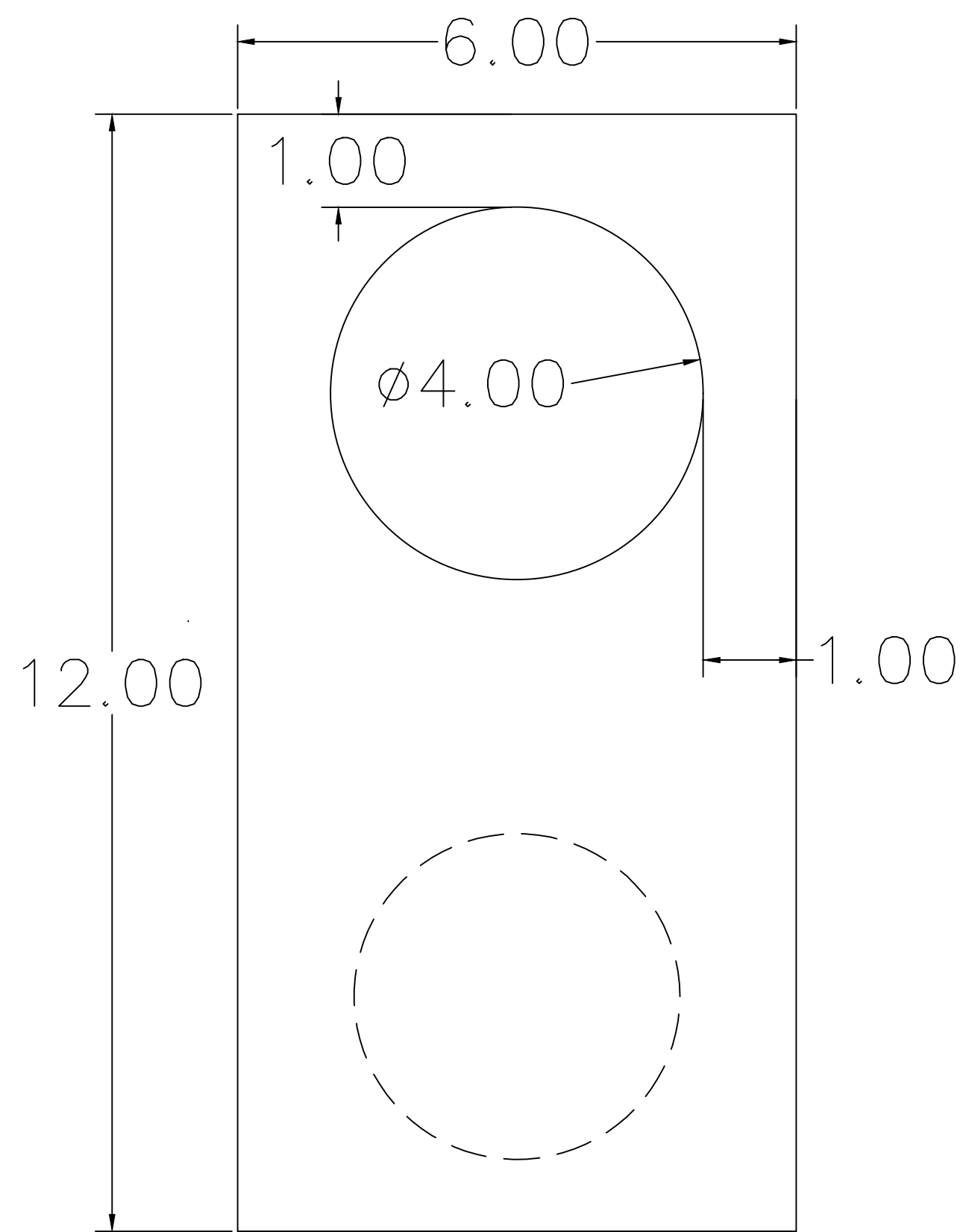
SHEET NAME  
 SPILLWAY  
 PROFILE

SHEET NO.  
**1.2**

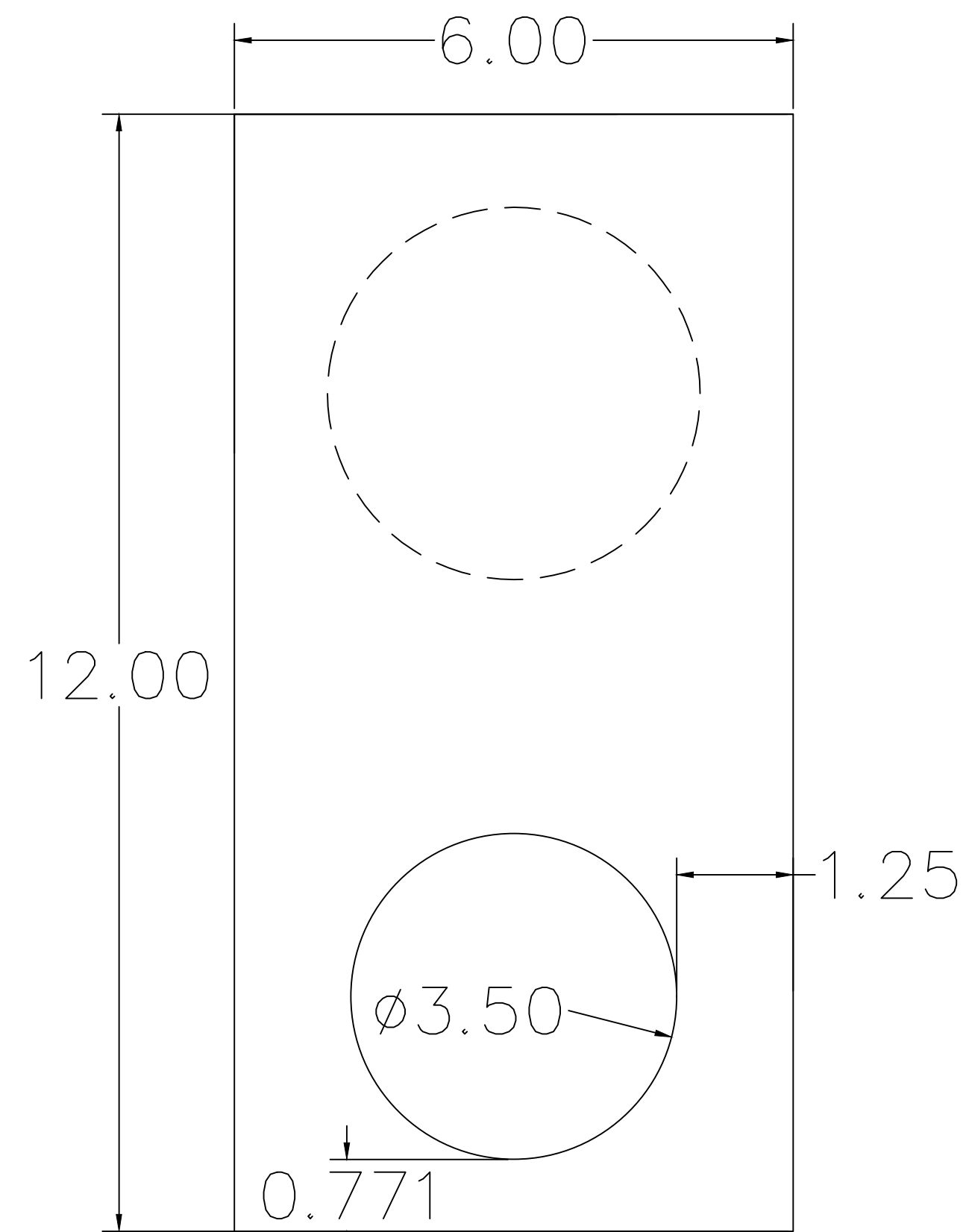




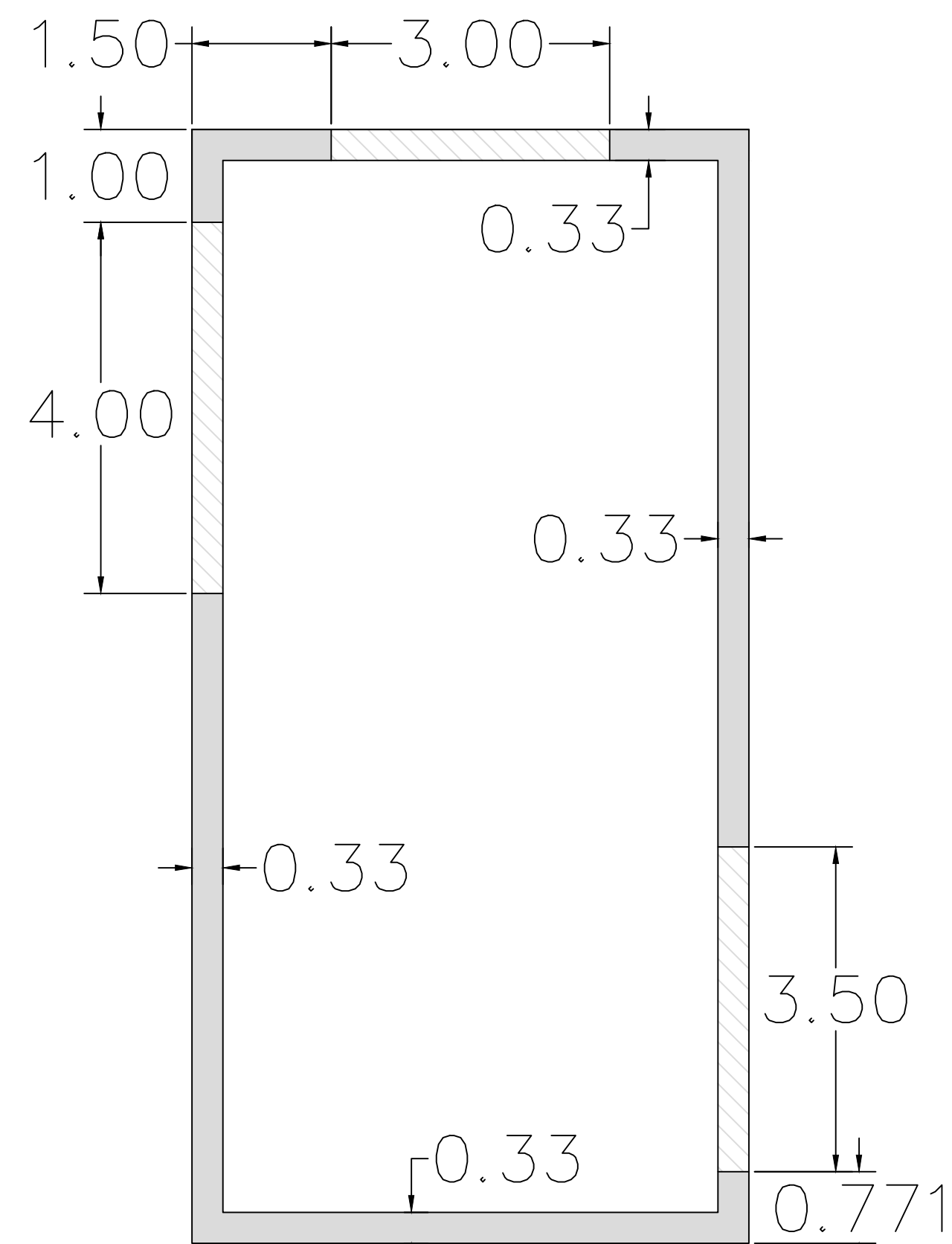
TOP



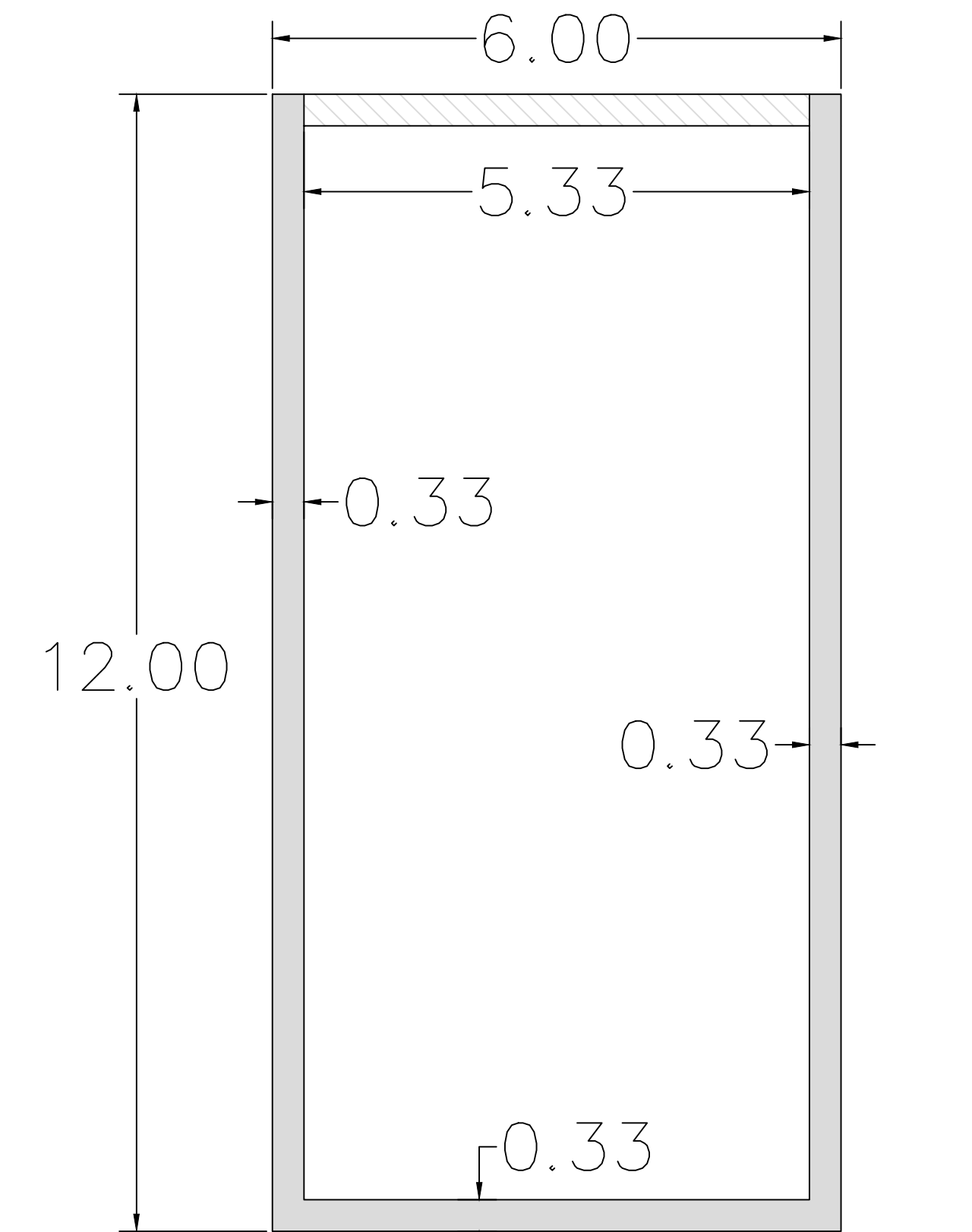
FRONT



BACK



SIDE CUT



FRONT CUT

|           |           |
|-----------|-----------|
| PROJECT:  | CEE: 4860 |
| DATE :    | 3/25/24   |
| DRAWN BY: | MRK       |
| REVISION: |           |

**THE UNIVERSITY OF IOWA**  
**CIVIL AND ENVIRONMENTAL ENGINEERING**  
 4105 SEAMANS CENTER FOR THE  
 ENGINEERING ARTS AND SCIENCES  
 103 S CAPITOL ST  
 IOWA CITY, IOWA 52242  
 PHONE: 319.335.5647  
 FAX: 319.335.5660  
 EMAIL: civil-hawks@iowa.edu

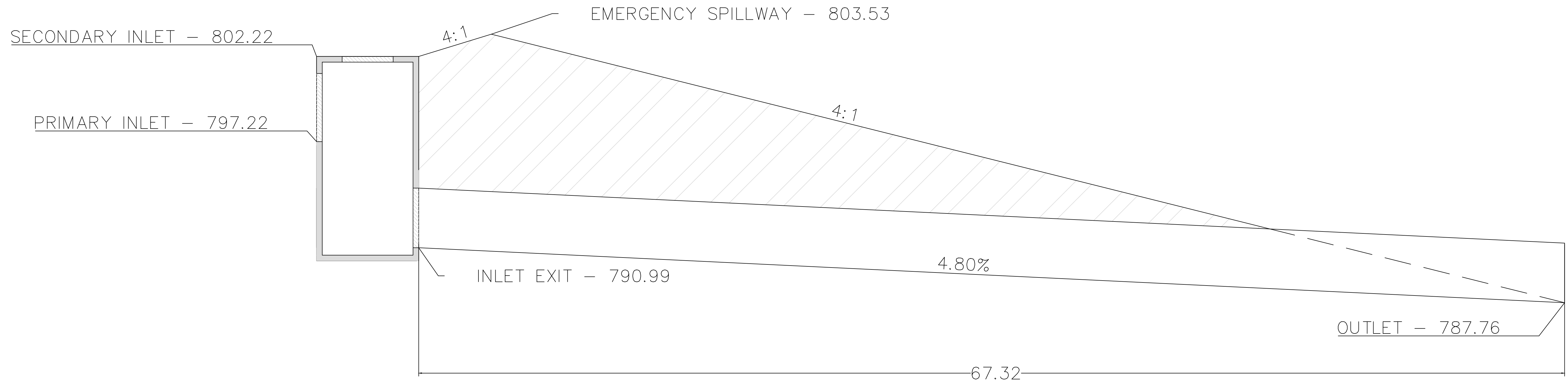
CEE logo BW - no text.tif

EDUCATIONAL - NOT FOR CONSTRUCTION

**CLIMATE ACTION PLAN**  
 795 JULIEN DUBUQUE DRIVE  
 DUBUQUE, IOWA 52003

SHEET NAME  
 INLET

SHEET NO.  
**2.1**



|           |           |
|-----------|-----------|
| PROJECT:  | CEE: 4860 |
| DATE :    | 3/25/24   |
| DRAWN BY: | MRK       |
| REVISION: |           |

**THE UNIVERSITY OF IOWA**  
**CIVIL AND ENVIRONMENTAL ENGINEERING**  
 4105 SEAMANS CENTER FOR THE  
 ENGINEERING ARTS AND SCIENCES  
 103 S CAPITOL ST  
 IOWA CITY, IOWA 52242  
 PHONE: 319.335.5647  
 FAX: 319.335.5660  
 EMAIL: civil-hawks@iowa.edu

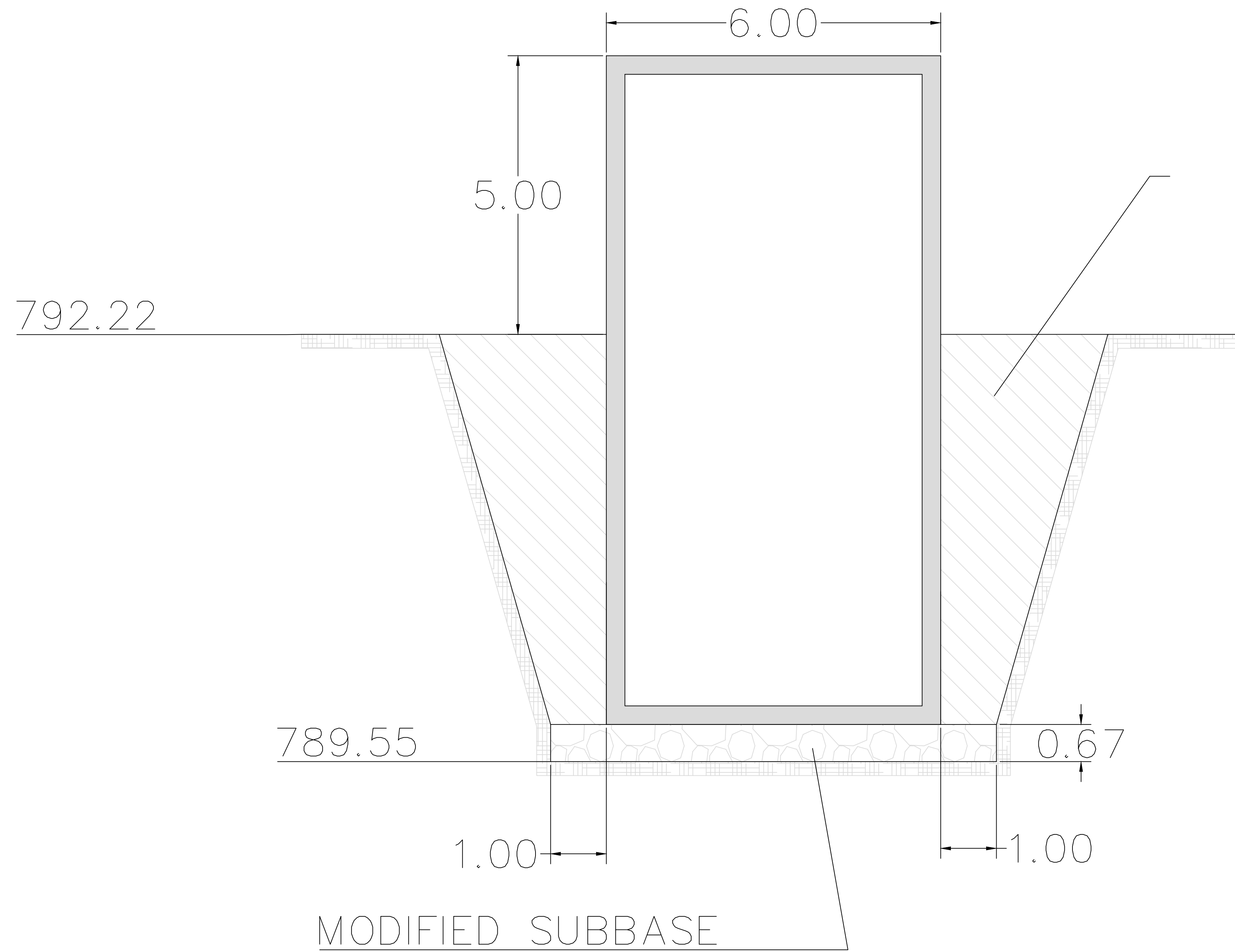
CEE logo BW - no text.tif

EDUCATIONAL - NOT FOR CONSTRUCTION

**CLIMATE ACTION PLAN**  
 795 JULIEN DUBUQUE DRIVE  
 DUBUQUE, IOWA 52003

SHEET NAME  
 PROFILE

SHEET NO.  
**2.2**



|           |           |
|-----------|-----------|
| PROJECT:  | CEE: 4850 |
| DATE :    | 4/4/2024  |
| DRAWN BY: | MRK       |
| REVISION: |           |

**THE UNIVERSITY OF IOWA**  
**CIVIL AND ENVIRONMENTAL ENGINEERING**  
 4105 SEAMANS CENTER FOR THE  
 ENGINEERING ARTS AND SCIENCES  
 103 S CAPITOL ST  
 IOWA CITY, IOWA 52242  
 PHONE: 319.335.5647  
 FAX: 319.335.5660  
 EMAIL: [civil-hawks@iowa.edu](mailto:civil-hawks@iowa.edu)

CEE logo BW - no text.tif

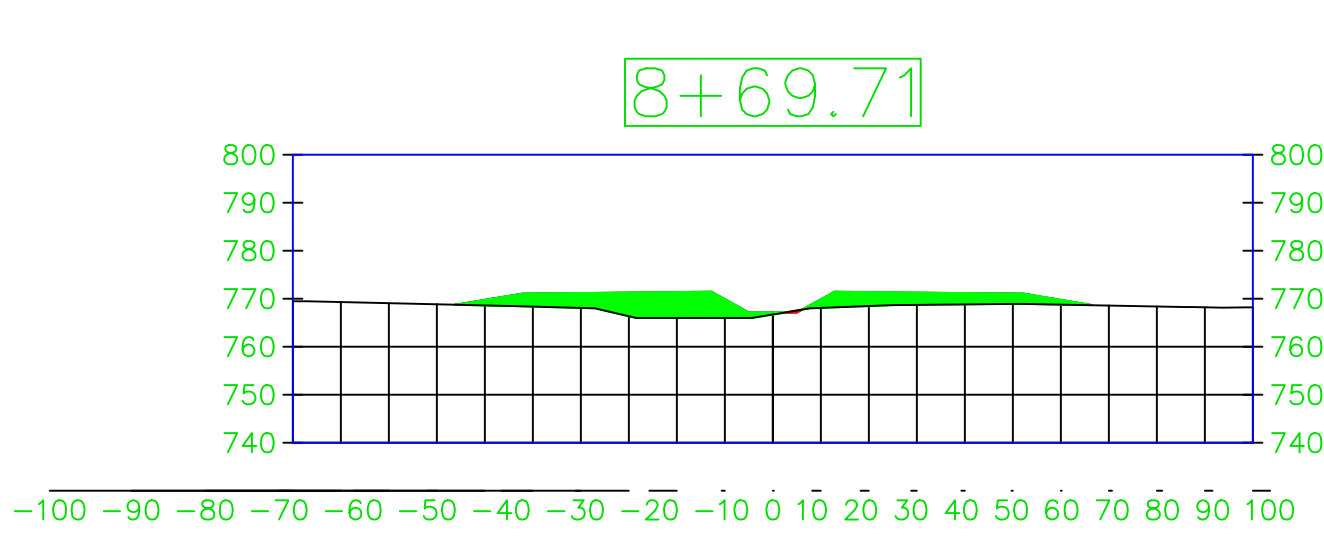
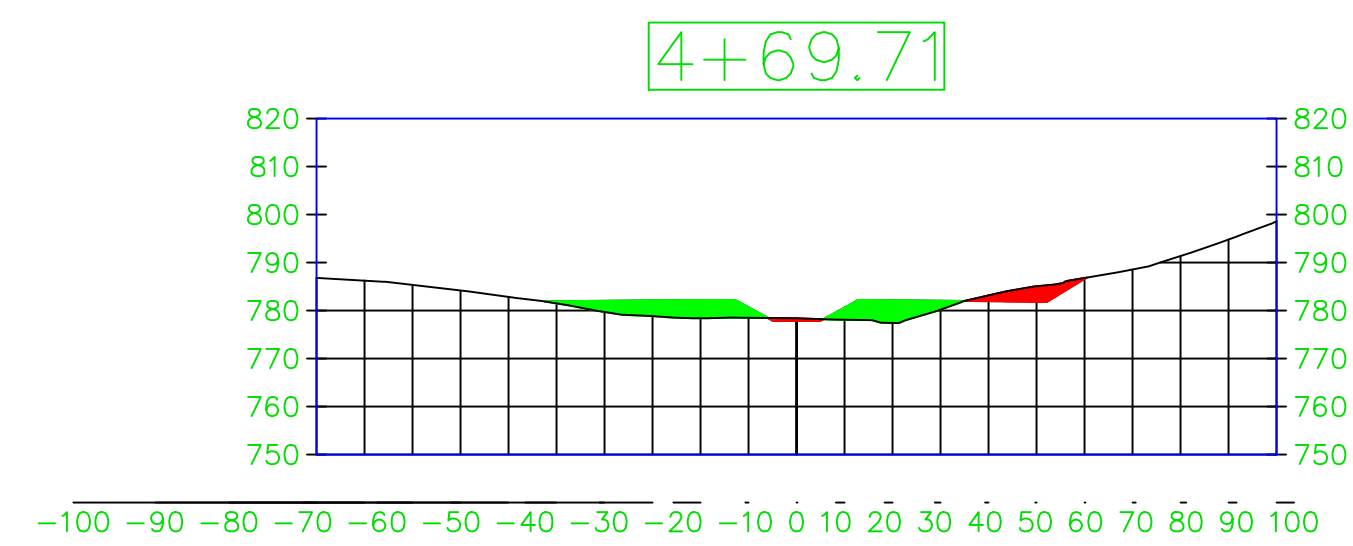
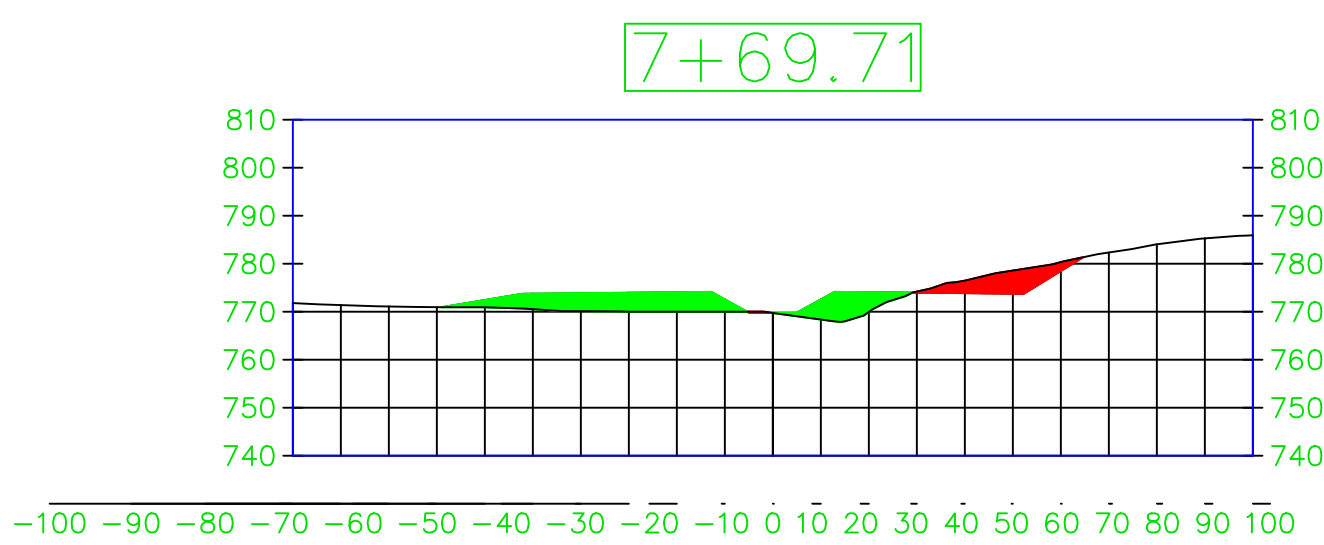
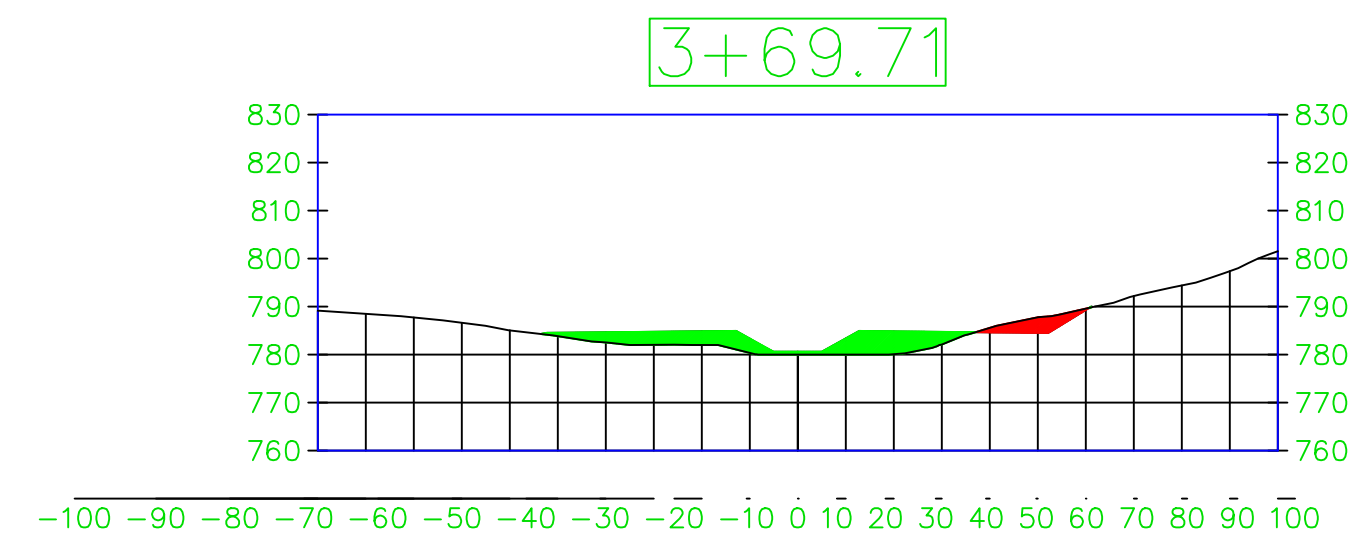
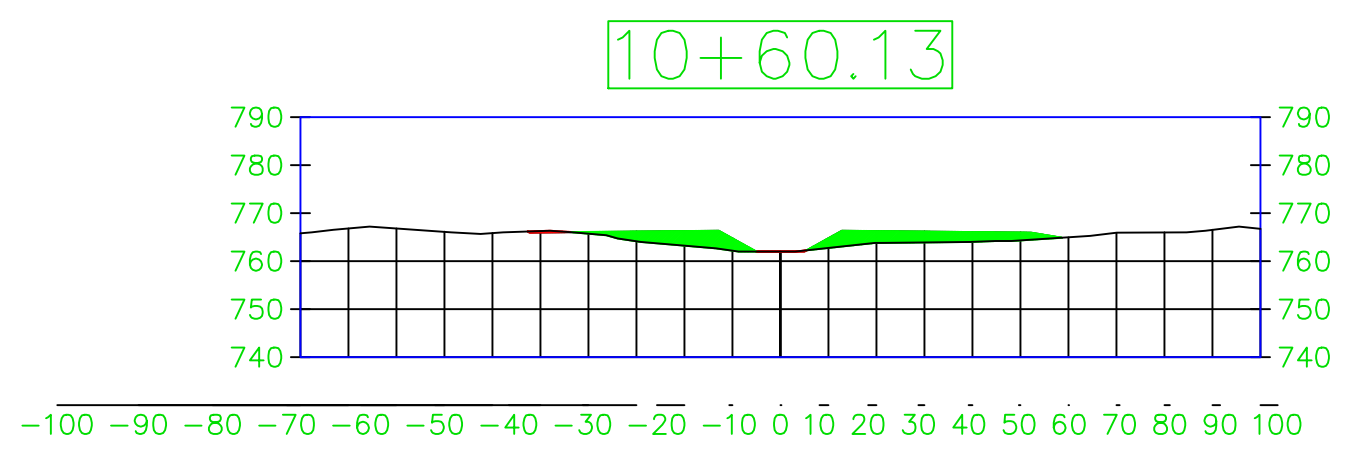
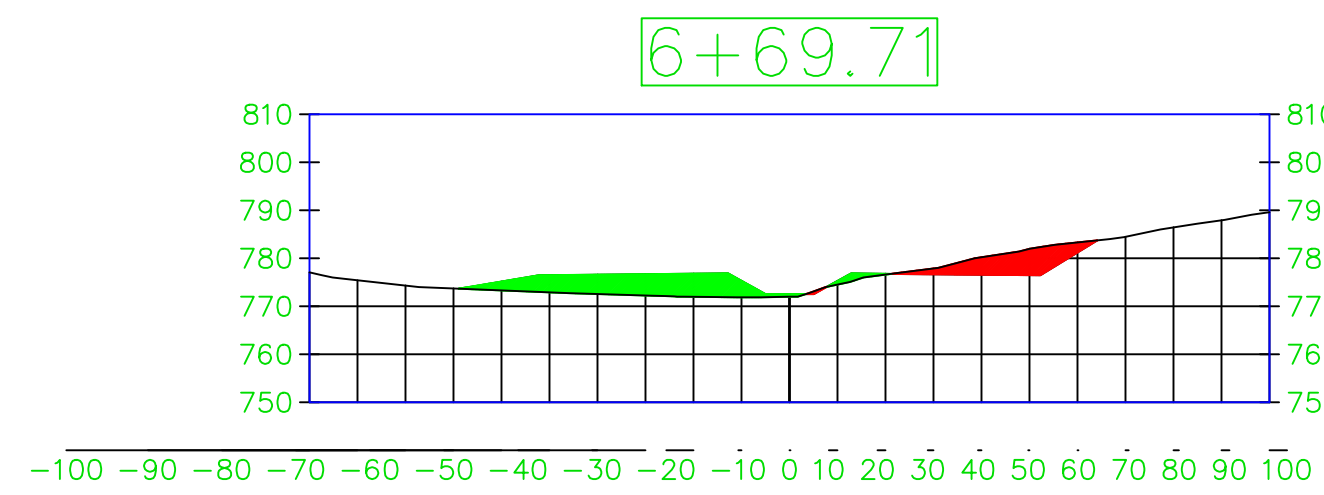
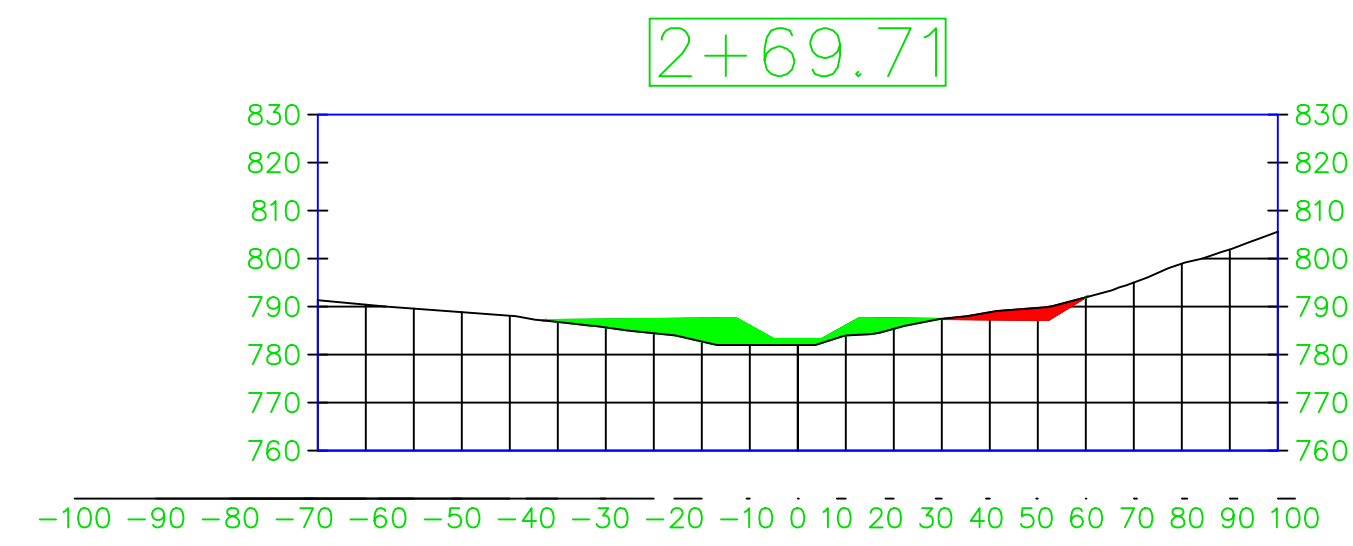
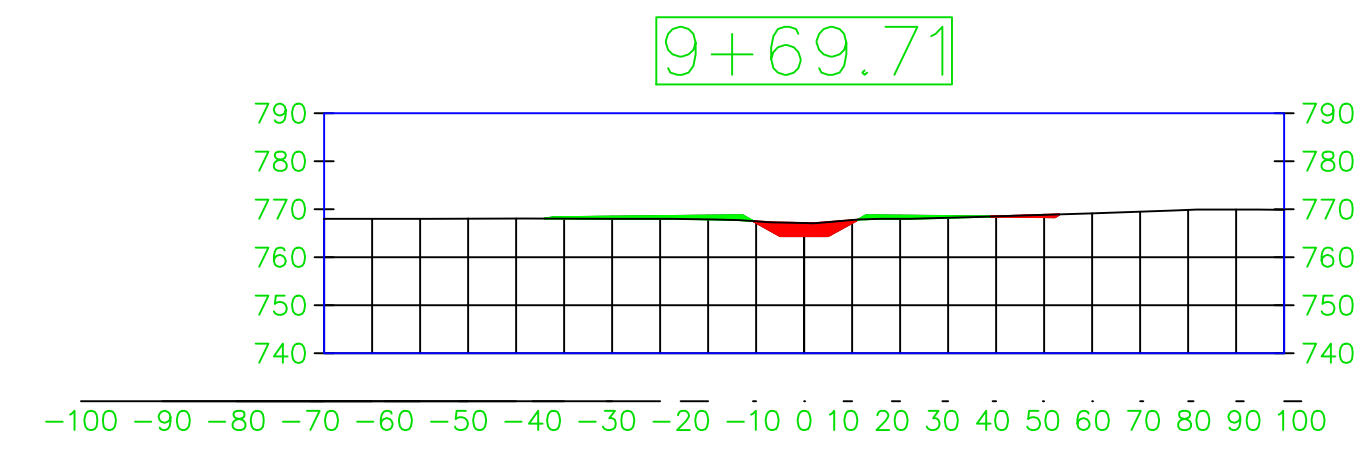
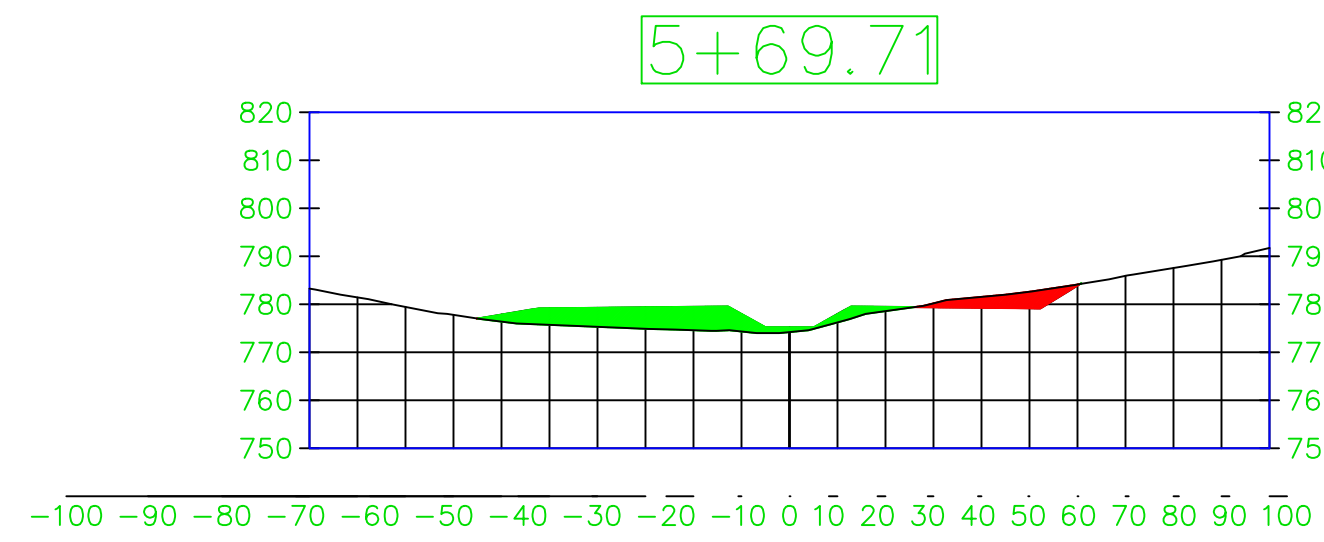
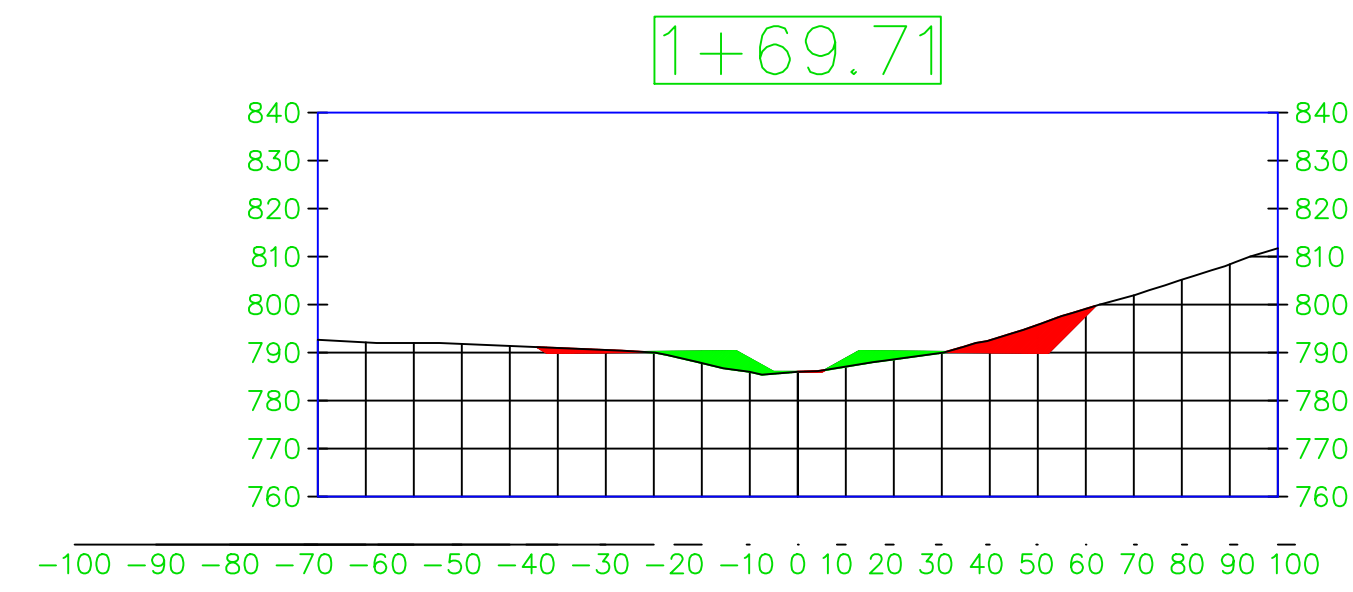
EDUCATIONAL - NOT FOR CONSTRUCTION

**CLIMATE ACTION PLAN**

795 JULIEN DUBUQUE DRIVE  
 DUBUQUE, IOWA 52003

SHEET NAME  
 CONSTRUCTION SPECIFICATIONS

SHEET NO.  
**2.3**



General Notes

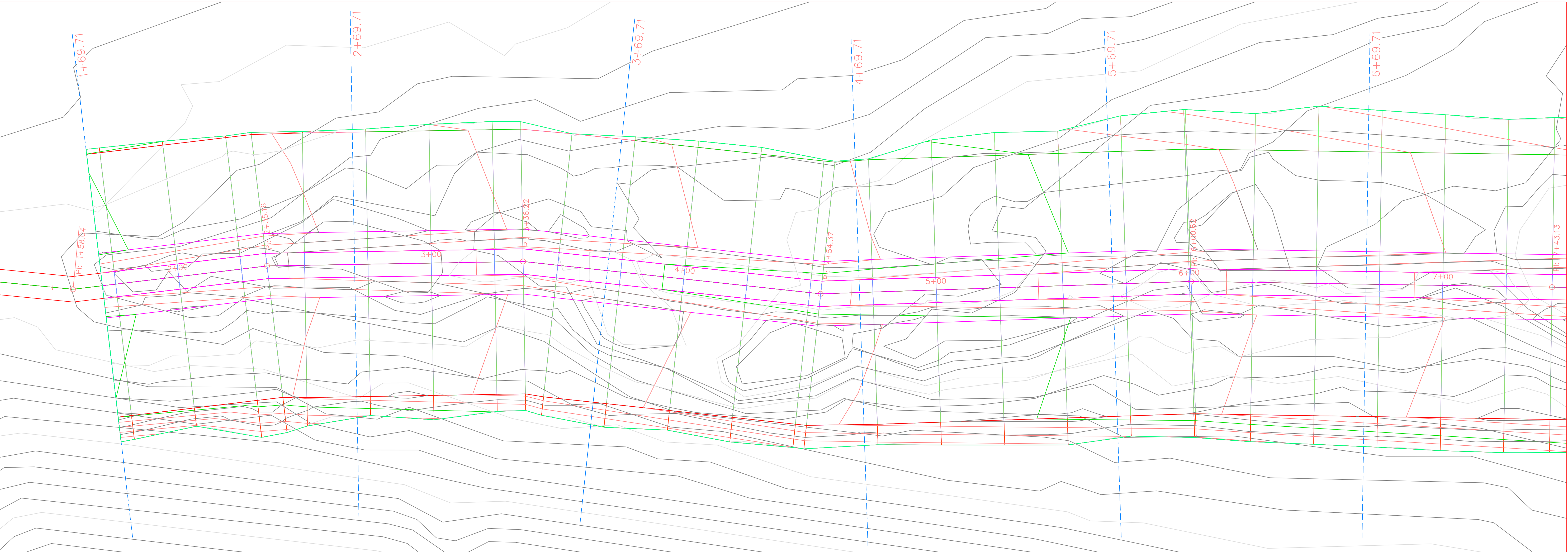
EDUCATIONAL—NOT FOR CONSTRUCTION

| No. | Revision/Issue | Date |
|-----|----------------|------|
|     |                |      |

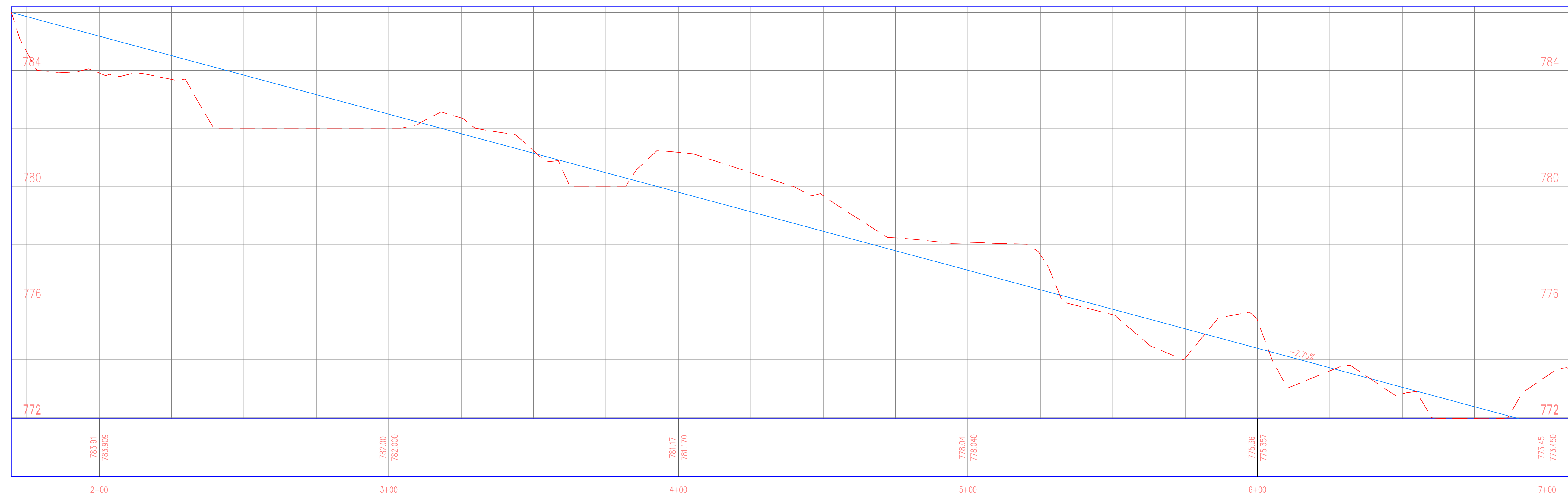
Firm Name and Address  
 THE UNIVERSITY OF IOWA  
 CIVIL AND ENVIRONMENTAL ENGINEERING  
 103 S CAPITAL STREET  
 IOWA CITY, IOWA 52242

Project Name and Address  
 CLIMATE ACTION PLAN  
 795 JULIEN DUBUQUE DRIVE  
 DUBUQUE, IOWA 52003

|                                |              |
|--------------------------------|--------------|
| Project<br>CLIMATE ACTION PLAN | Sheet<br>3.1 |
| Date<br>4/3/2024               |              |
| Scale<br>1" = 40'              |              |



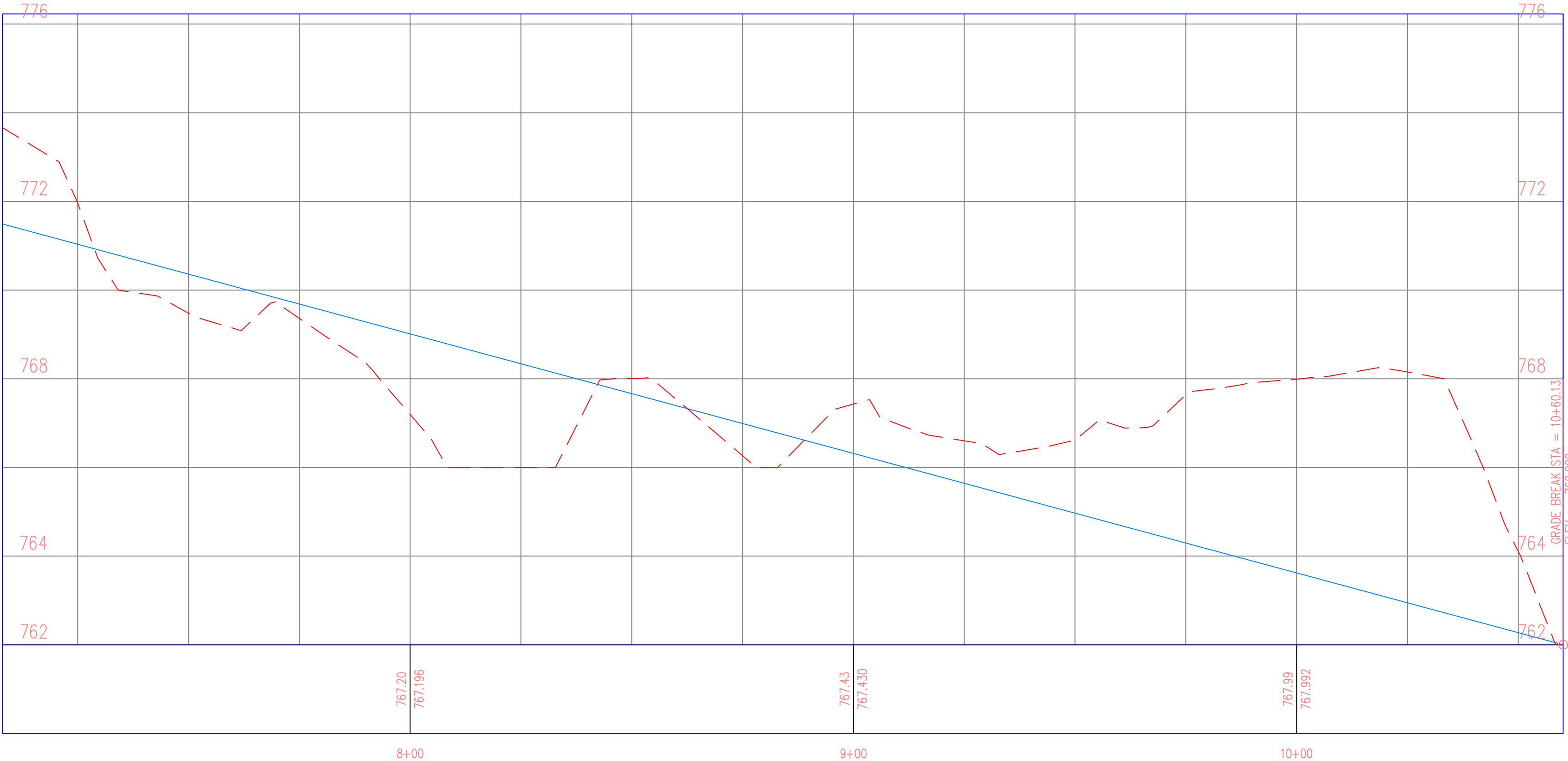
DIC2 Channel PROFILE

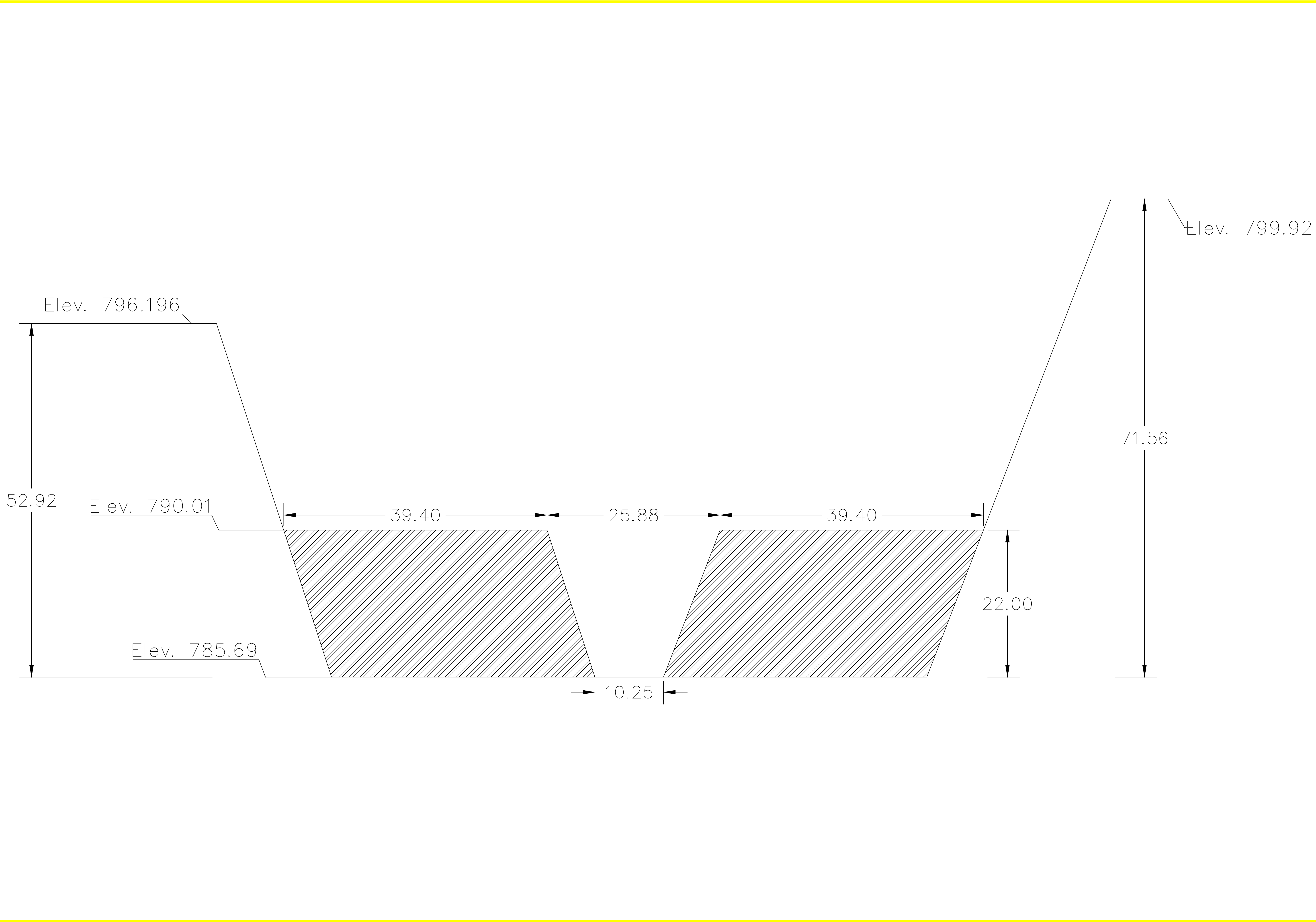






DIC2 Channel PROFILE





|           |           |
|-----------|-----------|
| PROJECT:  | CEE: 4860 |
| DATE :    | 4/30/2024 |
| DRAWN BY: | trf       |
| REVISION: |           |

**THE UNIVERSITY OF IOWA**  
**CIVIL AND ENVIRONMENTAL ENGINEERING**  
 4105 SEAMANS CENTER FOR THE  
 ENGINEERING ARTS AND SCIENCES  
 103 S CAPITOL ST  
 IOWA CITY, IOWA 52242  
 PHONE: 319.335.5647  
 FAX: 319.335.5660  
 EMAIL: civil-hawks@iowa.edu

EDUCATIONAL - NOT  
 FOR CONSTRUCTION

**CLIMATE ACTION PLAN**  
 795 JULIEN DUBUQUE DR.  
 DUBUQUE, IA, 52002

SHEET NAME  
 2-STEP  
 CHANNEL

SHEET NO.  
**3.4**