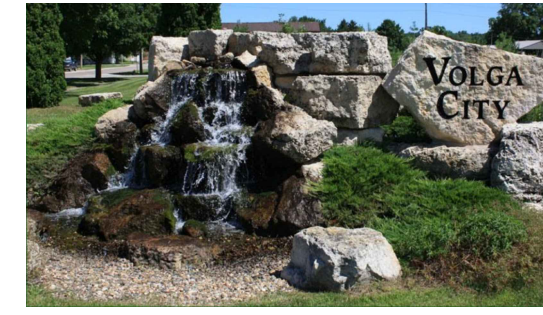


INDEX OF SHEETS

DESCRIPTION	No.
Title Sheet	A.0
Superstructure Span 1	A.1
Superstructure Span 2	A.2
Superstructure Both Spans	A.3
Substructure Abutment Details	B.1
Substructure Pier Details	B.2
Scour Protection Details	B.3
Trail Plan & Profile West Section	C.1
Trail Plan & Profile East Section	C.2
Trail Cross Sections	D.1
Trail Cross Sections	D.2
Trail Cross Sections	D.3
Trail Cross Sections	D.4



VOLGA PEDESTRIAN BRIDGE AND TRAIL

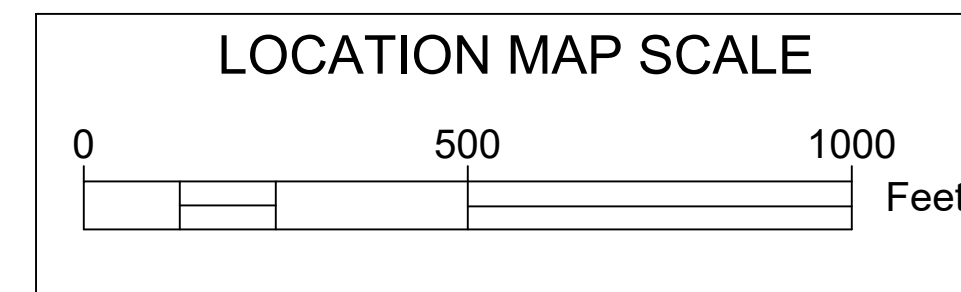


STA. 0+00.00
BEGIN PROJECT
BEGIN PAVING

STA. 0+87.12
BEGIN BRIDGE

STA. 3+54.11
END BRIDGE

STA. 9+06.05
END PROJECT
END PAVING



PROJECT:	CEE: 4850
DATE :	05/03/2020
DRAWN BY:	NBG
REVISION:	

THE UNIVERSITY OF IOWA
CIVIL AND ENVIRONMENTAL ENGINEERING
4105 SEAMANS CENTER FOR THE
ENGINEERING ARTS AND SCIENCES
103 S CAPITOL ST
IOWA CITY, IOWA 52242
PHONE: 319.335.5647
FAX: 319.335.5660
EMAIL: civil-hawks@iowa.edu

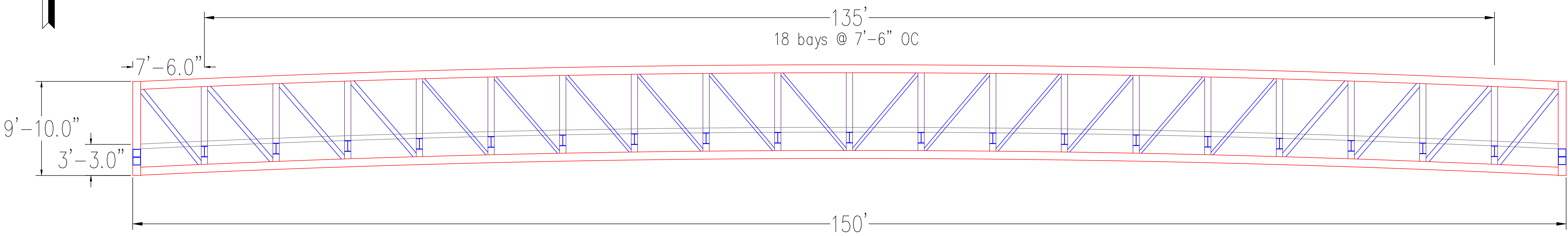
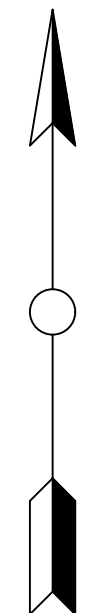


EDUCATIONAL - NOT FOR CONSTRUCTION

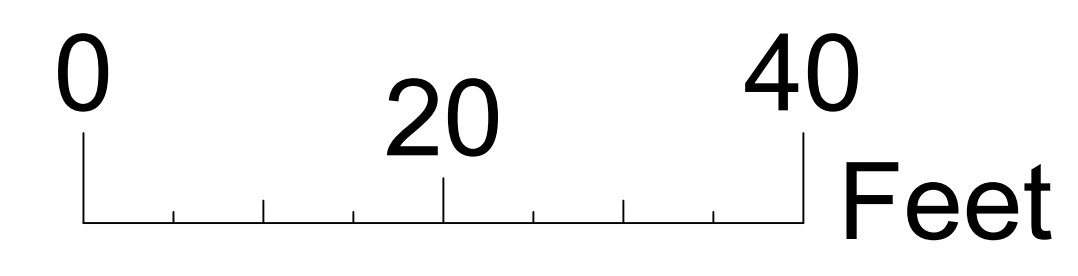
Volga Pedestrian Bridge
Volga, Iowa

SHEET NAME
Title Sheet

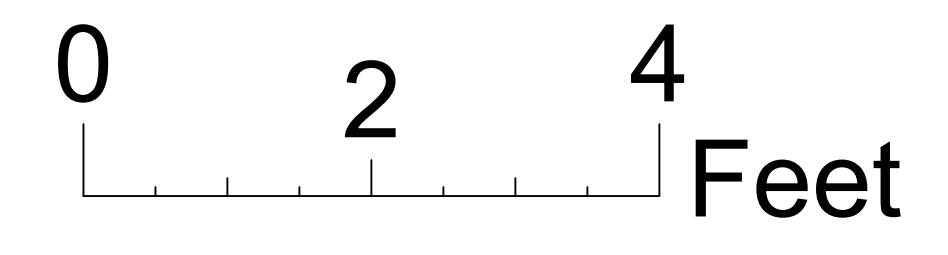
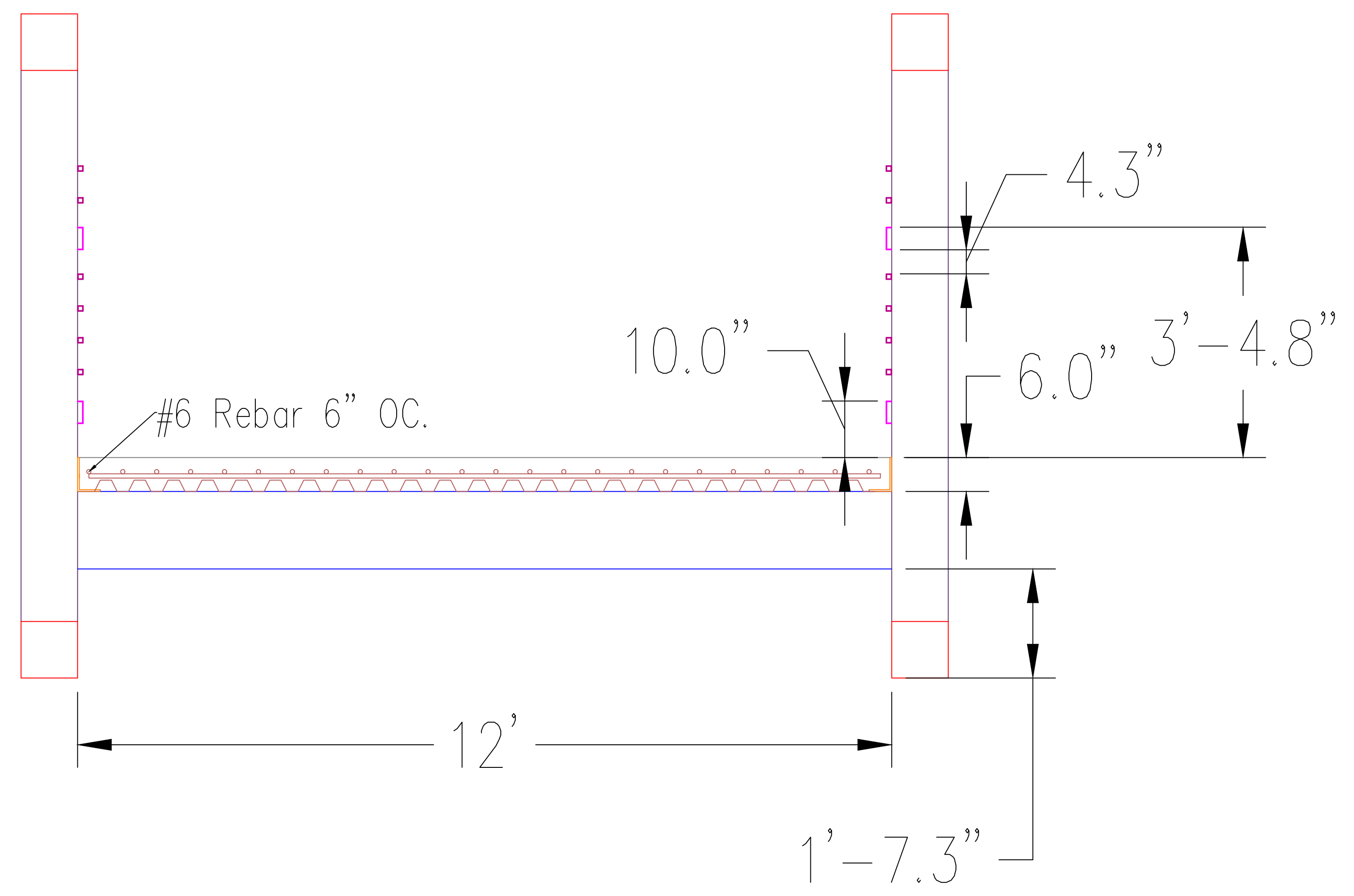
SHEET NO.
A.0



PROFILE VIEW - SPAN NO. 1



CROSS SECTION VIEW (TYP.)



PROJECT:	CEE: 4850
DATE :	05/07/2020
DRAWN BY:	RM
REVISION:	

THE UNIVERSITY OF IOWA
CIVIL AND ENVIRONMENTAL ENGINEERING
 4105 SEAMANS CENTER FOR THE
 ENGINEERING ARTS AND SCIENCES
 103 S CAPITOL ST
 IOWA CITY, IOWA 52242
 PHONE: 319.335.5647
 FAX: 319.335.5660
 EMAIL: civil-hawks@iowa.edu



EDUCATIONAL - NOT FOR CONSTRUCTION

Volga Pedestrian Bridge
 Volga, IA

SHEET NAME
 Superstructure
 Span 1

SHEET NO.
A.1

PROJECT:	CEE: 4850
DATE :	05/07/2020
DRAWN BY:	RM
REVISION:	

THE UNIVERSITY OF IOWA
CIVIL AND ENVIRONMENTAL ENGINEERING
 4105 SEAMANS CENTER FOR THE
 ENGINEERING ARTS AND SCIENCES
 103 S CAPITOL ST
 IOWA CITY, IOWA 52242
 PHONE: 319.335.5647
 FAX: 319.335.5660
 EMAIL: civil-hawks@iowa.edu

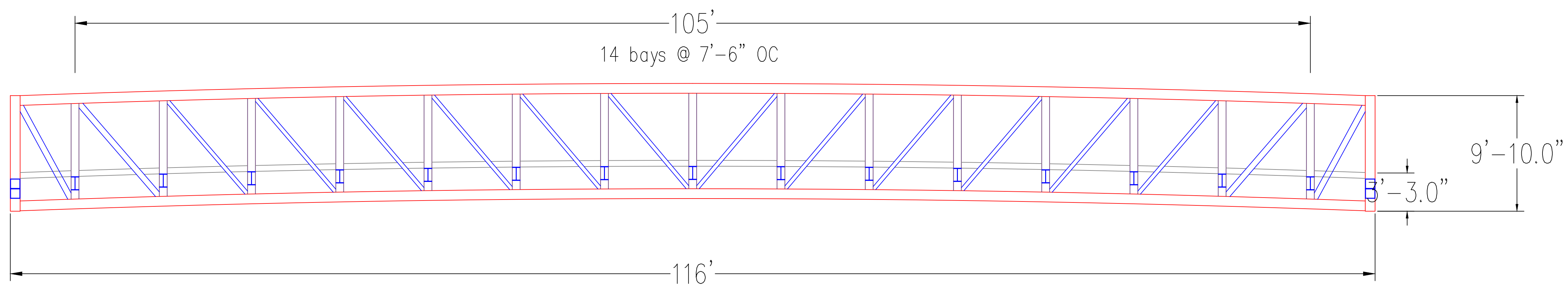


EDUCATIONAL - NOT FOR CONSTRUCTION

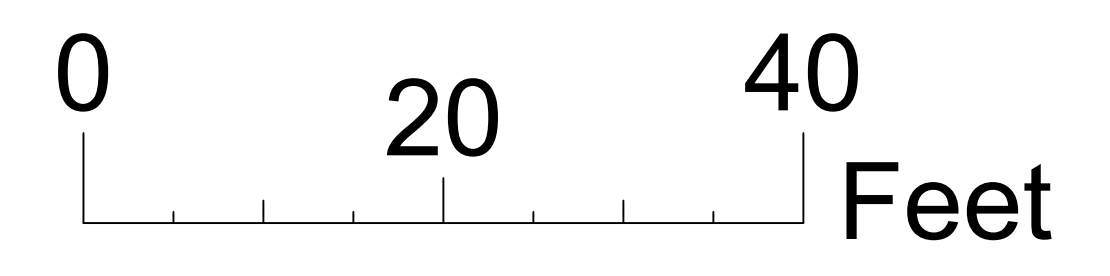
Volga Pedestrian Bridge
 Volga, IA

SHEET NAME
 Superstructure
 Span 2

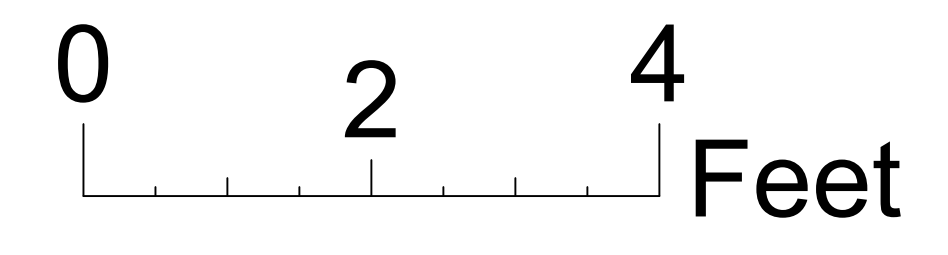
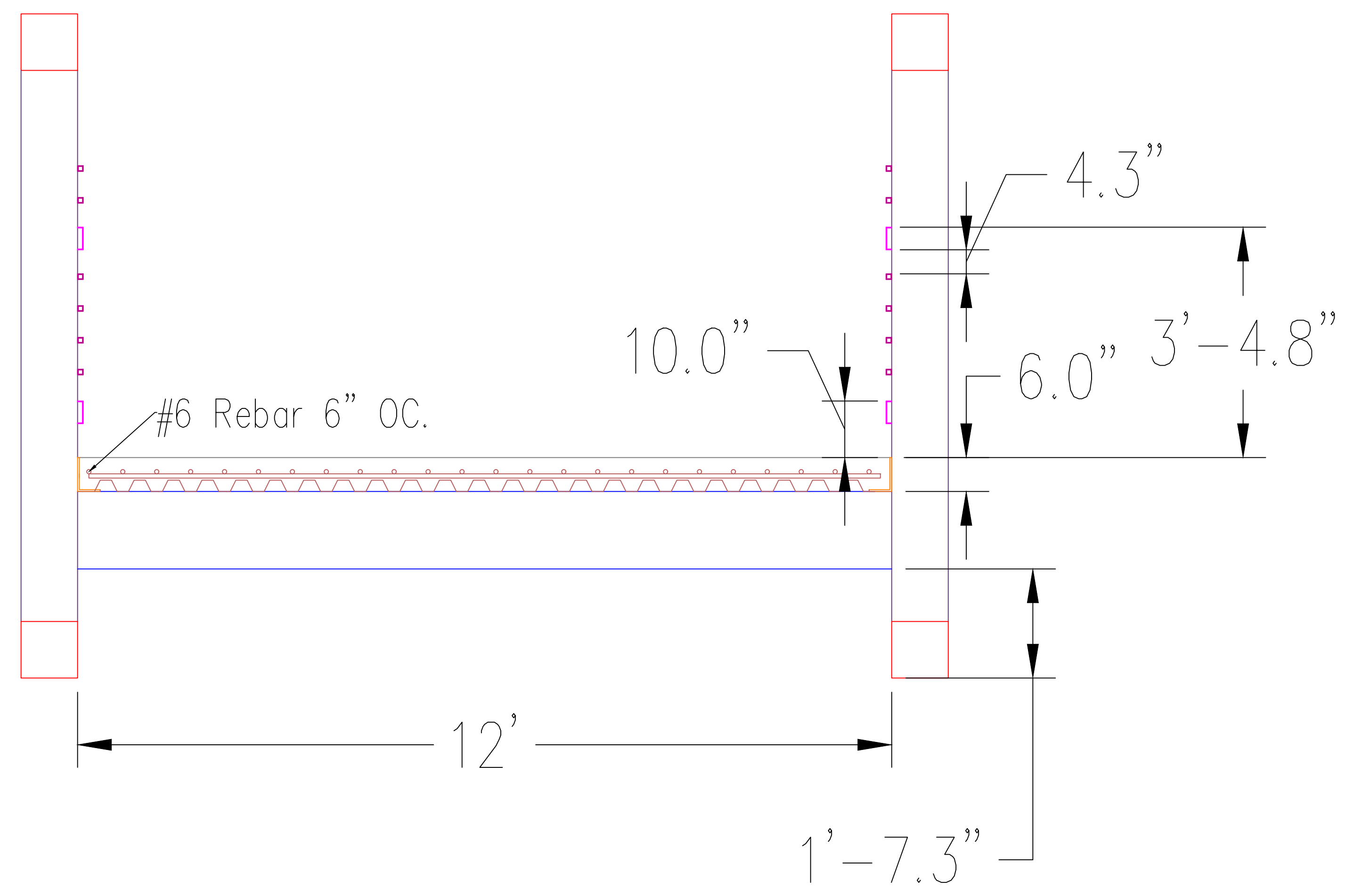
SHEET NO.
A.2

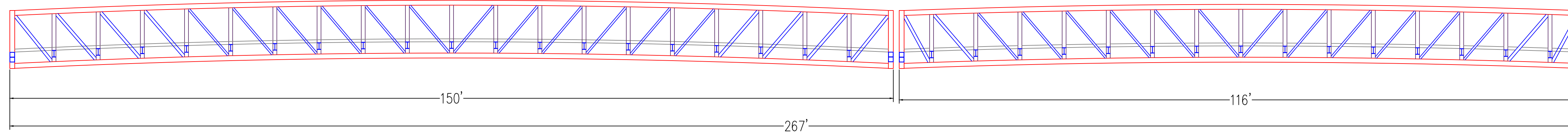


PROFILE VIEW - SPAN NO. 2

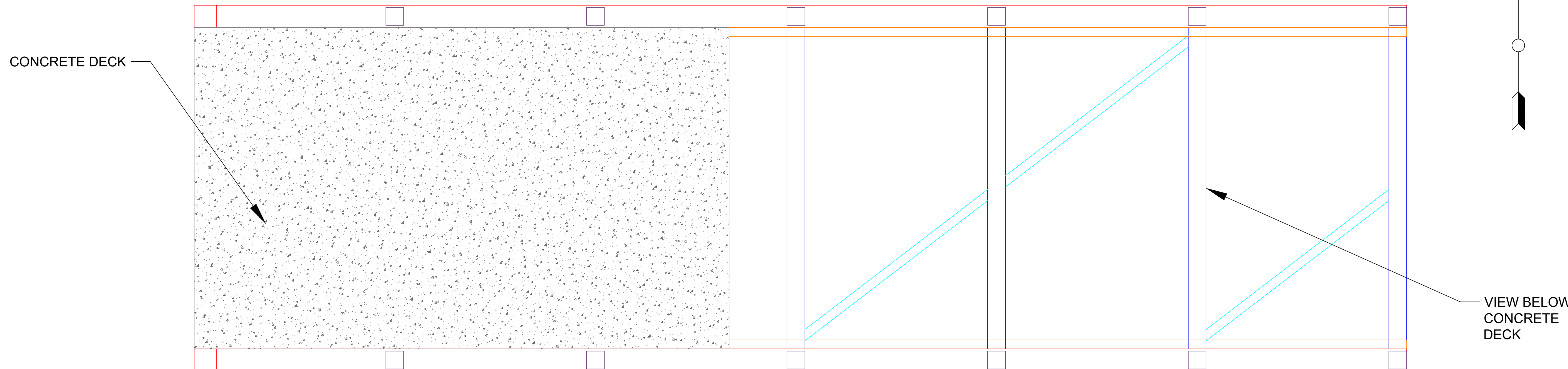
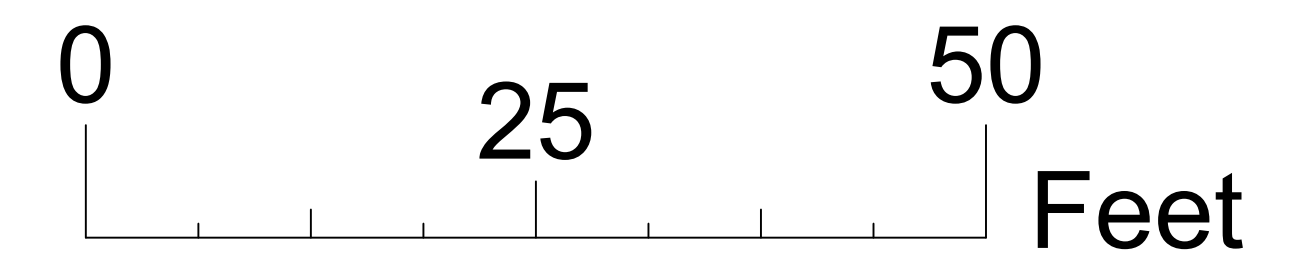


CROSS SECTION VIEW (TYP.)

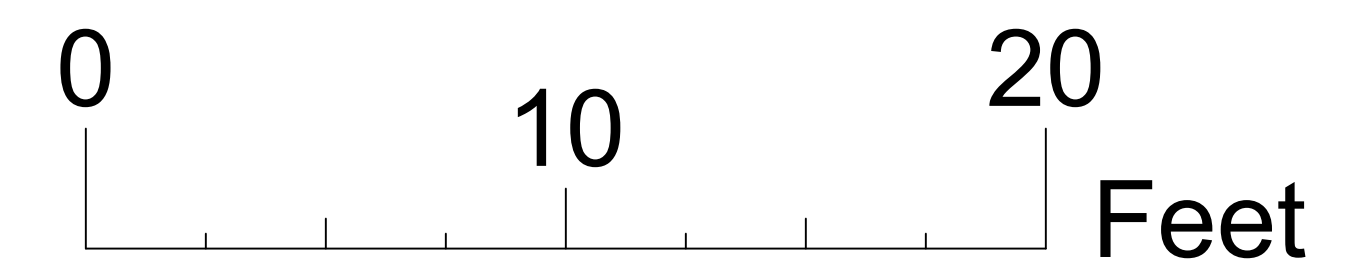




PROFILE VIEW - BOTH SPANS



PLAN VIEW (TYP.)



PROJECT:	CEE: 4850
DATE :	05/07/2020
DRAWN BY:	RM
REVISION:	

THE UNIVERSITY OF IOWA
CIVIL AND ENVIRONMENTAL ENGINEERING
 4105 SEAMANS CENTER FOR THE
 ENGINEERING ARTS AND SCIENCES
 103 S CAPITOL ST
 IOWA CITY, IOWA 52242
 PHONE: 319.335.5647
 FAX: 319.335.5660
 EMAIL: civil-hawks@iowa.edu



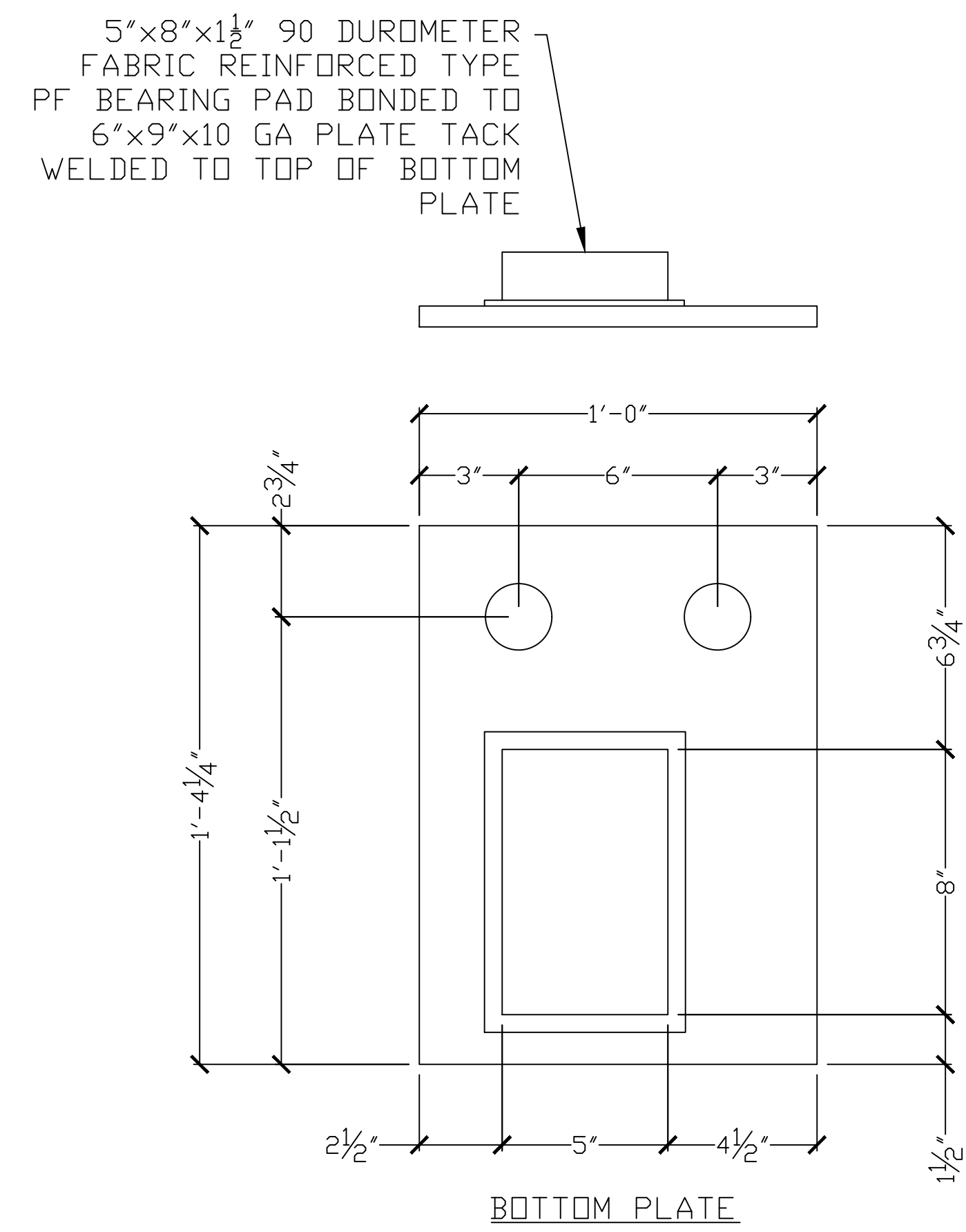
EDUCATIONAL - NOT FOR CONSTRUCTION

Volga Pedestrian Bridge

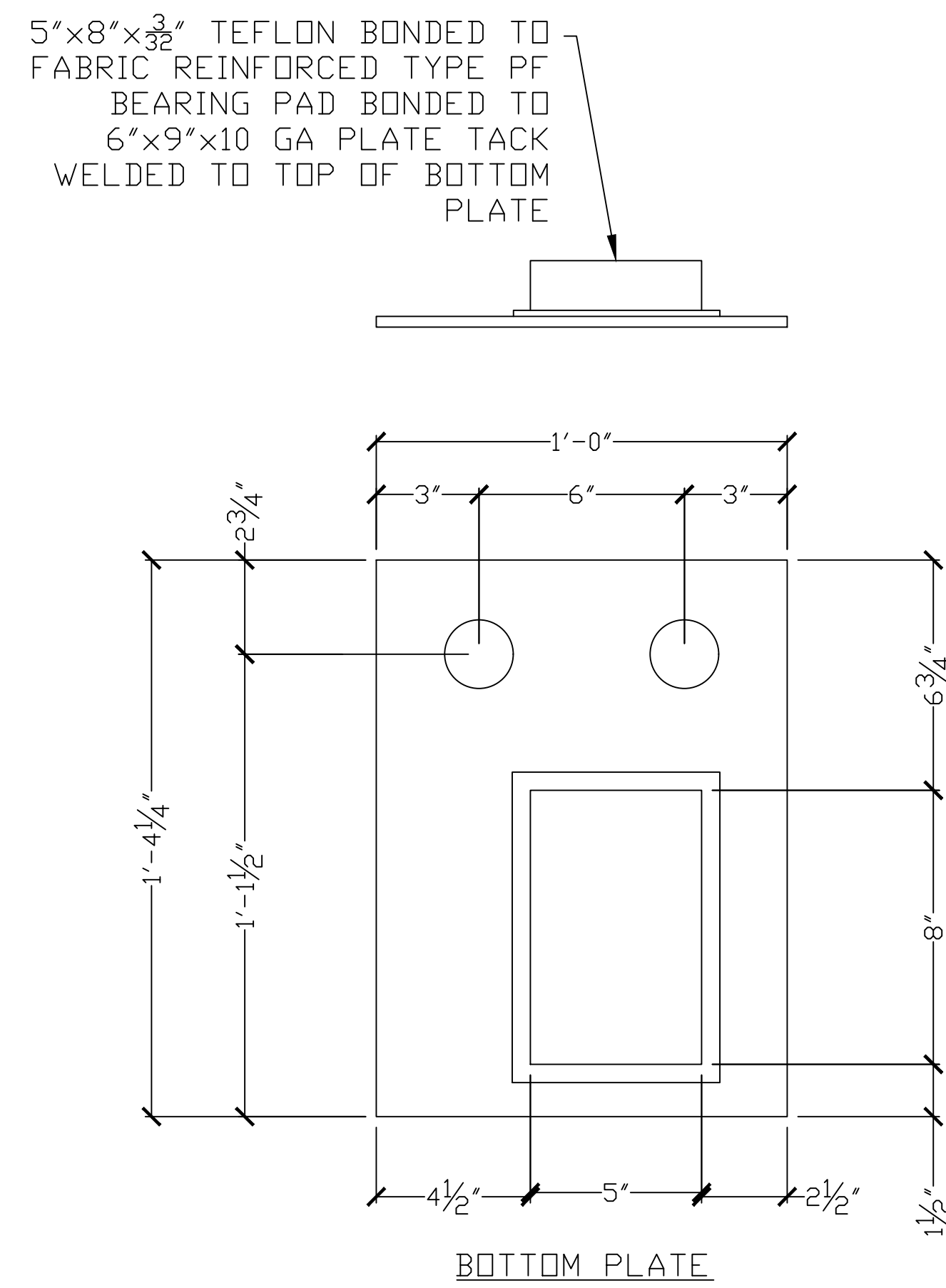
Volga, IA

SHEET NAME
Superstructure
Both Spans

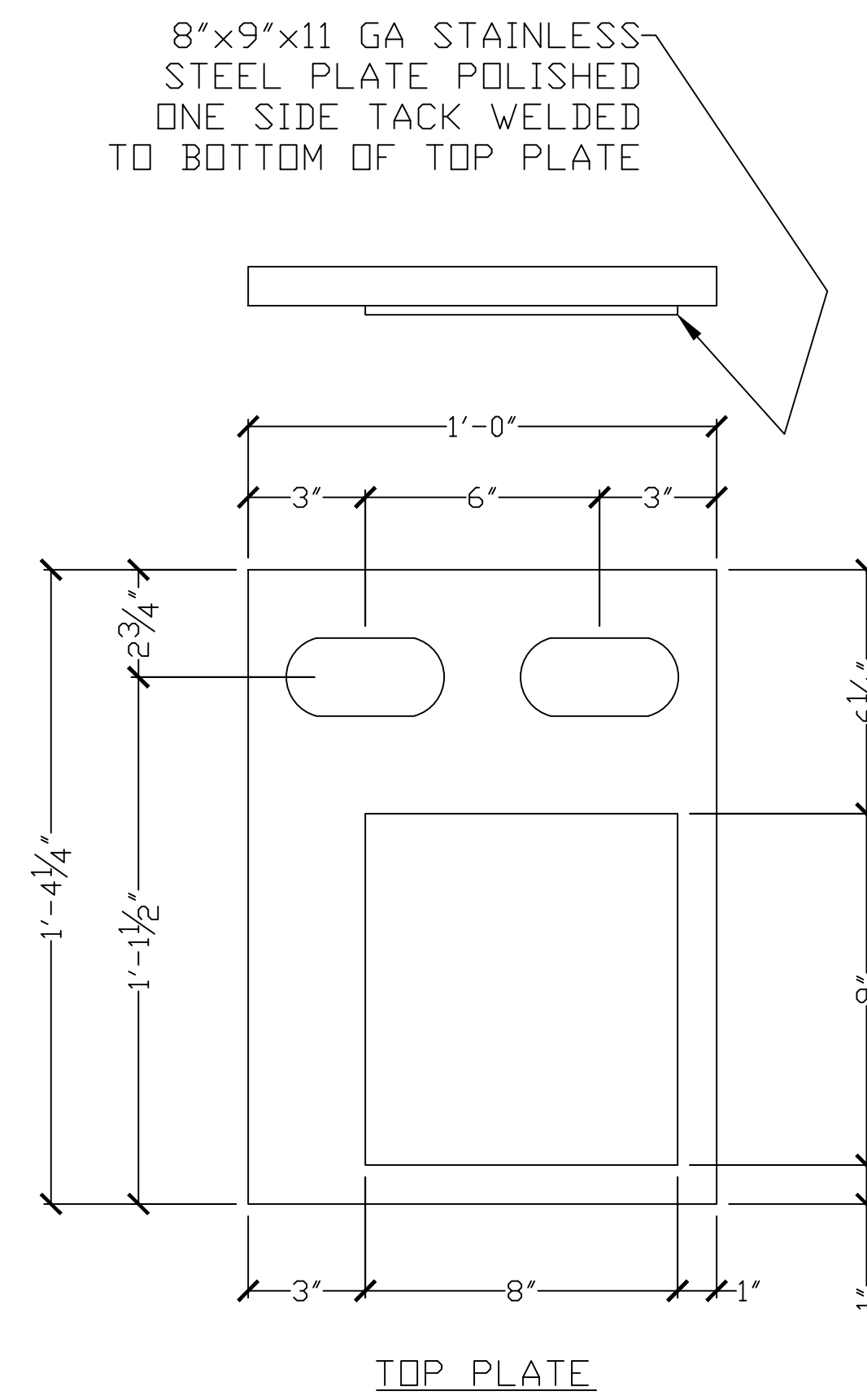
SHEET NO.
A.3



FIXED BEARING PAD DETAILS
(FROM CONTECH ES)



EXPANSION BEARING PAD DETAILS
(FROM CONTECH ES)



PROJECT:	CEE: 4850
DATE :	05/07/2020
DRAWN BY:	NBG
REVISION:	

THE UNIVERSITY OF IOWA
CIVIL AND ENVIRONMENTAL ENGINEERING
 4105 SEAMANS CENTER FOR THE
 ENGINEERING ARTS AND SCIENCES
 103 S CAPITOL ST
 IOWA CITY, IOWA 52242
 PHONE: 319.335.5647
 FAX: 319.335.5660
 EMAIL: civil-hawks@iowa.edu



EDUCATIONAL - NOT FOR CONSTRUCTION

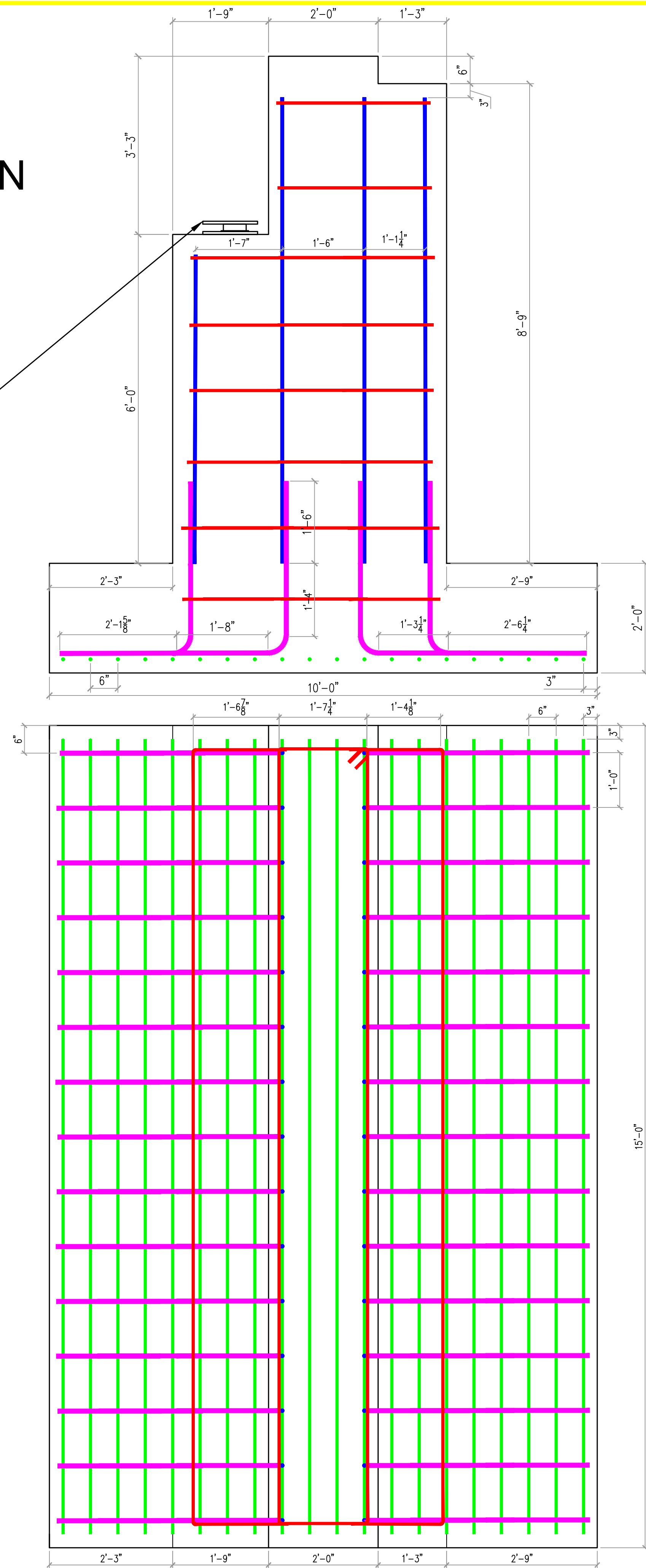
Volga Pedestrian Bridge
 Volga, IA

SHEET NAME
 Bearing Details
 Contech ES

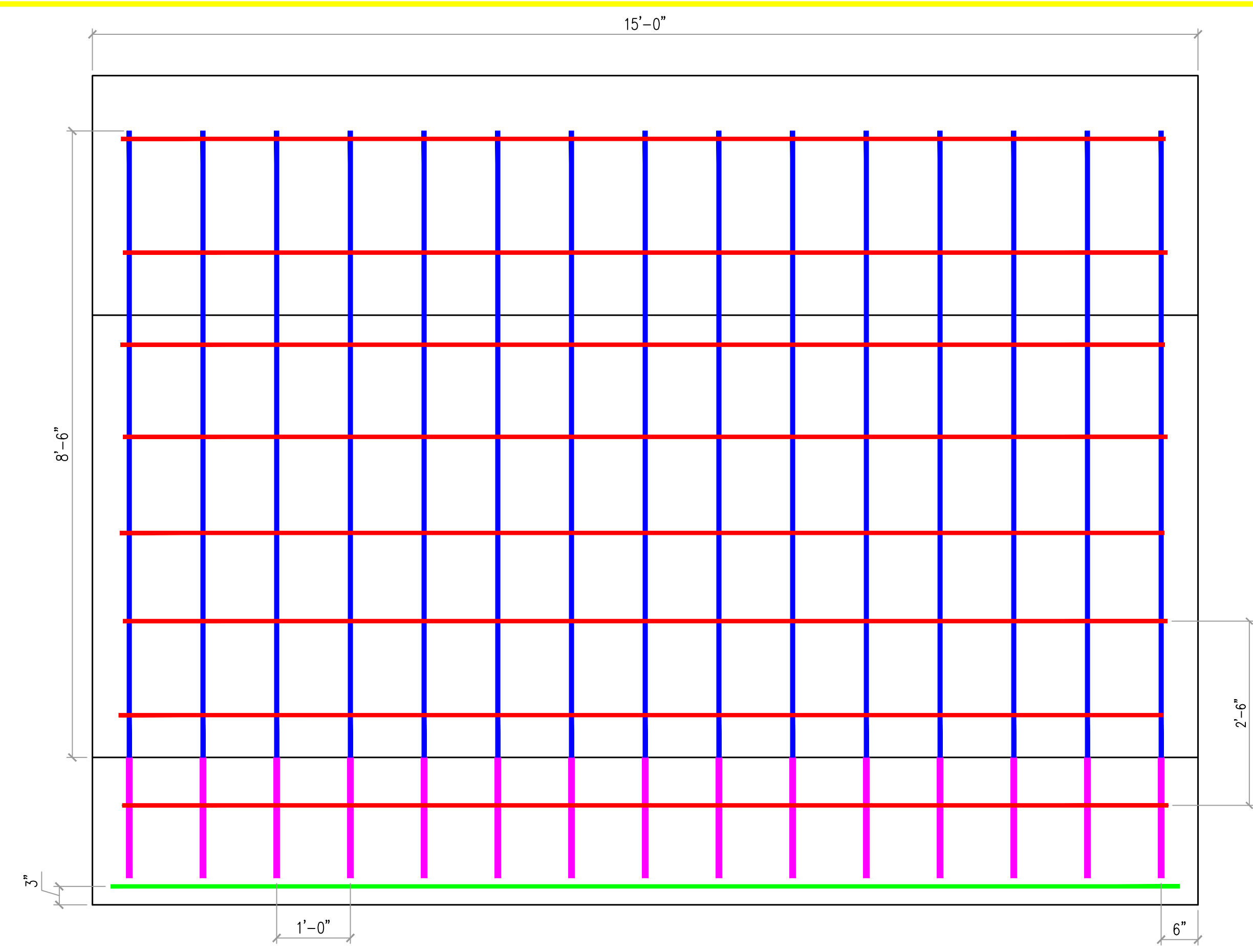
SHEET NO.
A.4

CROSS SECTION

FIXED BEARING PAD AND PLATE
(DESIGNED BY CONTECH ES)



PLAN VIEW



PROFILE VIEW

NOTES

All reinforcing steel shall be epoxy coated as specified.

Minimum reinforcement cover = 3.0" as specified.



KEY

- #4 Rebar shown in red
- #9 Rebar shown in blue and green
- #11 Rebar shown in pink

PROJECT:	CEE: 4850
DATE :	04/23/2020
DRAWN BY:	SM
REVISION:	

THE UNIVERSITY OF IOWA
CIVIL AND ENVIRONMENTAL ENGINEERING
 4105 SEAMANS CENTER FOR THE
 ENGINEERING ARTS AND SCIENCES
 103 S CAPITOL ST
 IOWA CITY, IOWA 52242
 PHONE: 319.335.5647
 FAX: 319.335.5660
 EMAIL: civil-hawks@iowa.edu



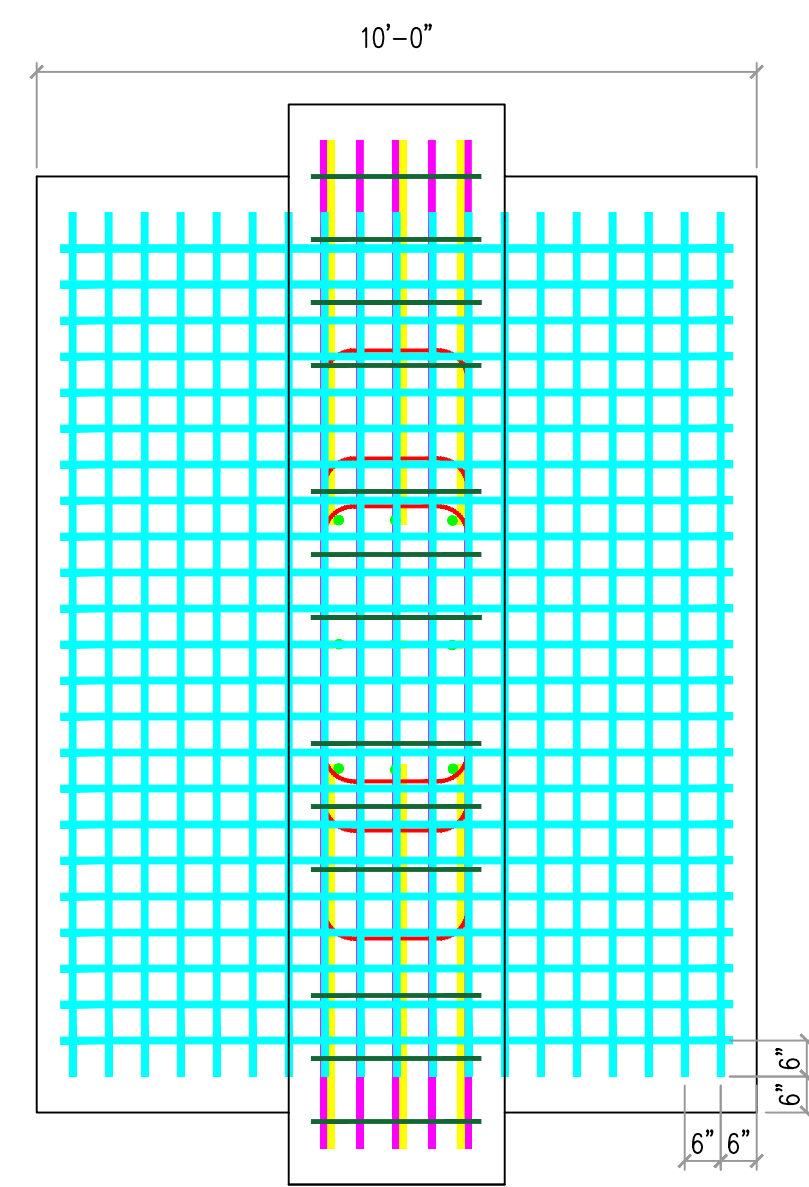
EDUCATIONAL - NOT FOR CONSTRUCTION

Volga Pedestrian Bridge
 Iowa, IA

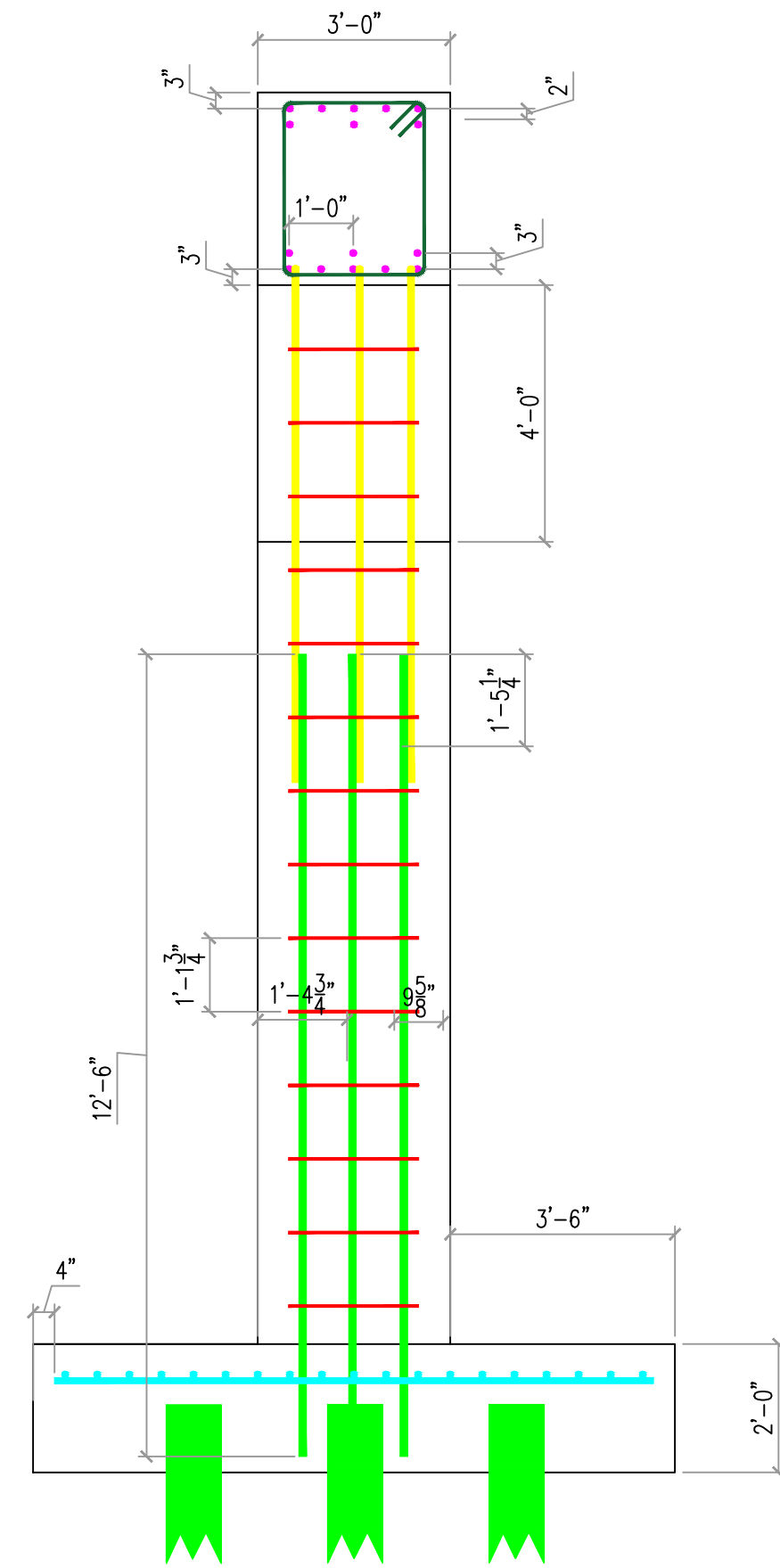
SHEET NAME
 Substructure
 Abutment Details

SHEET NO.
B.1

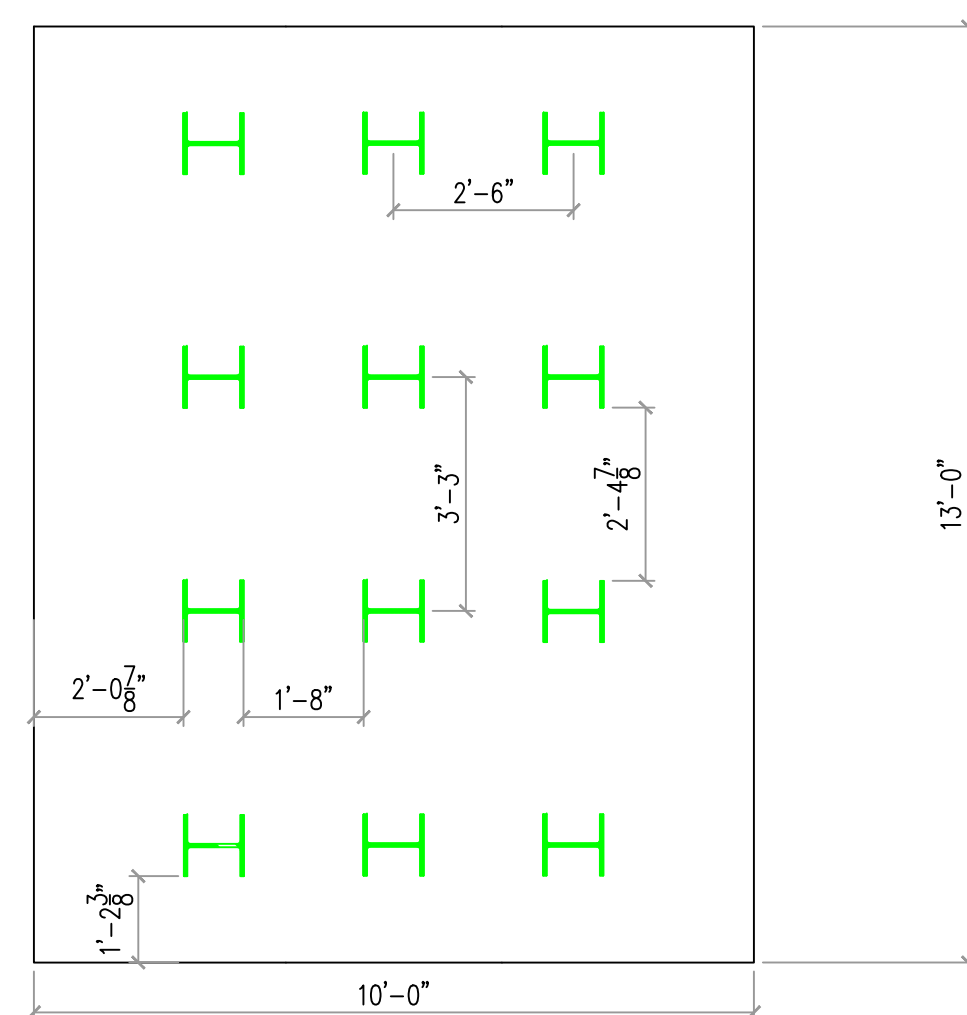
PLAN VIEW



PROFILE VIEW



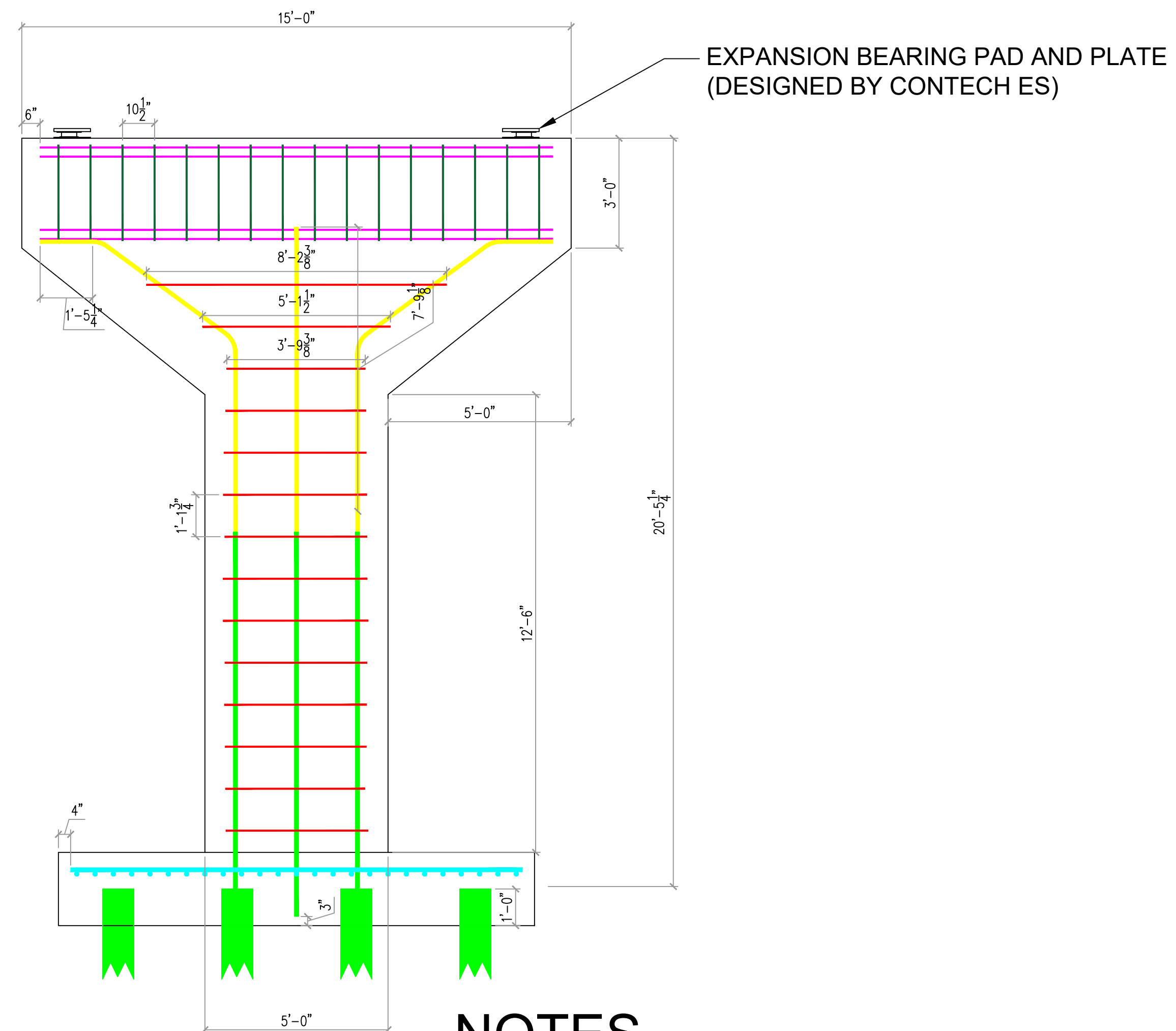
PILE CAP PLAN VIEW



KEY

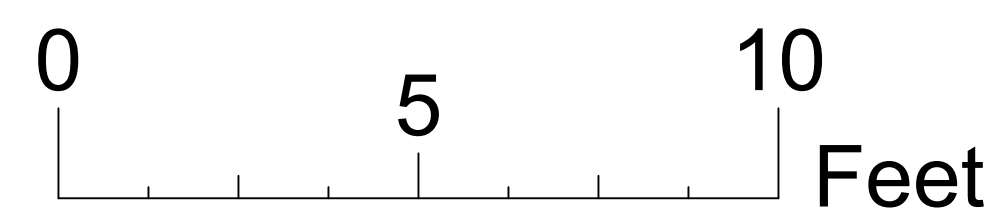
- #4 Rebar shown in red & dark green
- #9 Rebar shown in light blue, yellow, & pink
- #11 Rebar shown in light green

CROSS SECTION



NOTES

- Piles are HP10x42, shown in light green
- Piles are shown with a break - must be 65' in length per design specifications.
- Piles are symmetrically spaced with respect to the pile cap center.
- Minimum reinforcement cover = 3.0" as specified.
- Reinforcement shall be epoxy coated as specified.



PROJECT:	CEE: 4850
DATE :	04/23/2020
DRAWN BY:	SM
REVISION:	

THE UNIVERSITY OF IOWA
CIVIL AND ENVIRONMENTAL ENGINEERING
 4105 SEAMANS CENTER FOR THE
 ENGINEERING ARTS AND SCIENCES
 103 S CAPITOL ST
 IOWA CITY, IOWA 52242
 PHONE: 319.335.5647
 FAX: 319.335.5660
 EMAIL: civil-hawks@iowa.edu



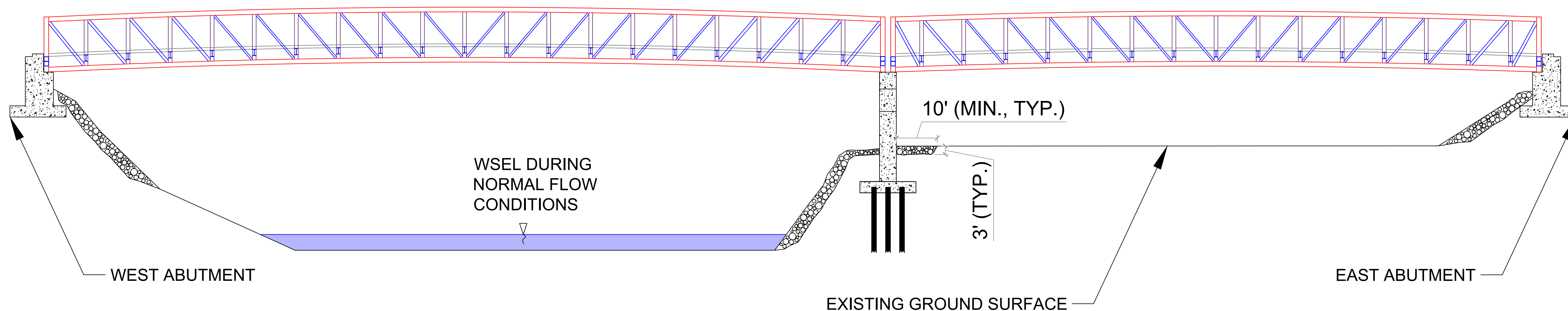
EDUCATIONAL - NOT FOR CONSTRUCTION

Volga Pedestrian Bridge
 Volga, IA

SHEET NAME
 Substructure
 Pier Details

SHEET NO.
B.2

BRIDGE SUBSTRUCTURE SCOUR PROTECTION DETAILS SECTION LOOKING NORTH

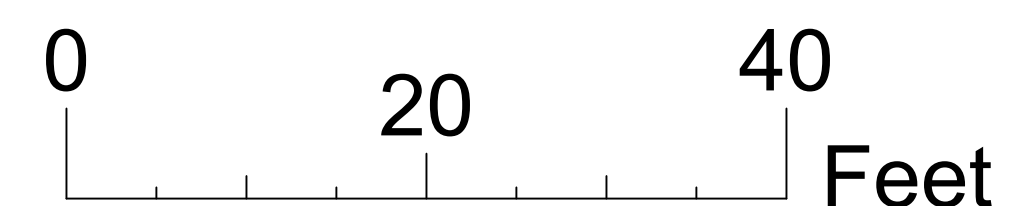


NOTES

Abutments:
Minimum 10' Class E Revetment layer upstream, downstream, and parallel to bridge direction; 2-3' thick per specifications.

Pier:
Minimum 10' Class E Revetment layer in each direction around the pier; 3' thick per specifications.

Engineering fabric shall be placed beneath all riprap layers per design specifications.



PROJECT:	CEE: 4850
DATE :	05/07/2020
DRAWN BY:	NBG
REVISION:	

THE UNIVERSITY OF IOWA
CIVIL AND ENVIRONMENTAL ENGINEERING
4105 SEAMANS CENTER FOR THE
ENGINEERING ARTS AND SCIENCES
103 S CAPITOL ST
IOWA CITY, IOWA 52242
PHONE: 319.335.5647
FAX: 319.335.5660
EMAIL: civil-hawks@iowa.edu



EDUCATIONAL - NOT FOR CONSTRUCTION

Volga Pedestrian Bridge

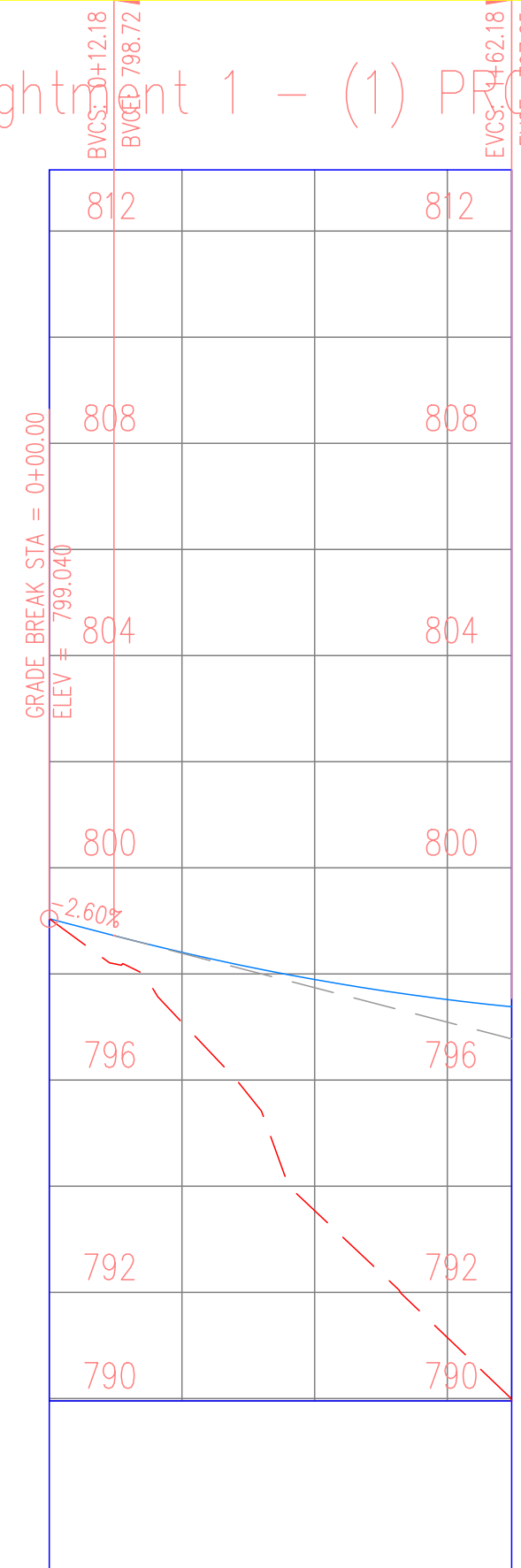
Volga, IA

SHEET NAME
Substructure
Riprap Details

SHEET NO.
B.3



Alignment 1 - (1) PROFILE



PROJECT:	CEE: 4850
DATE :	05/08/2020
DRAWN BY:	RCK
REVISION:	

THE UNIVERSITY OF IOWA
CIVIL AND ENVIRONMENTAL ENGINEERING
 4105 SEAMANS CENTER FOR THE
 ENGINEERING ARTS AND SCIENCES
 103 S CAPITOL ST
 IOWA CITY, IOWA 52242
 PHONE: 319.335.5647
 FAX: 319.335.5660
 EMAIL: civil-hawks@iowa.edu

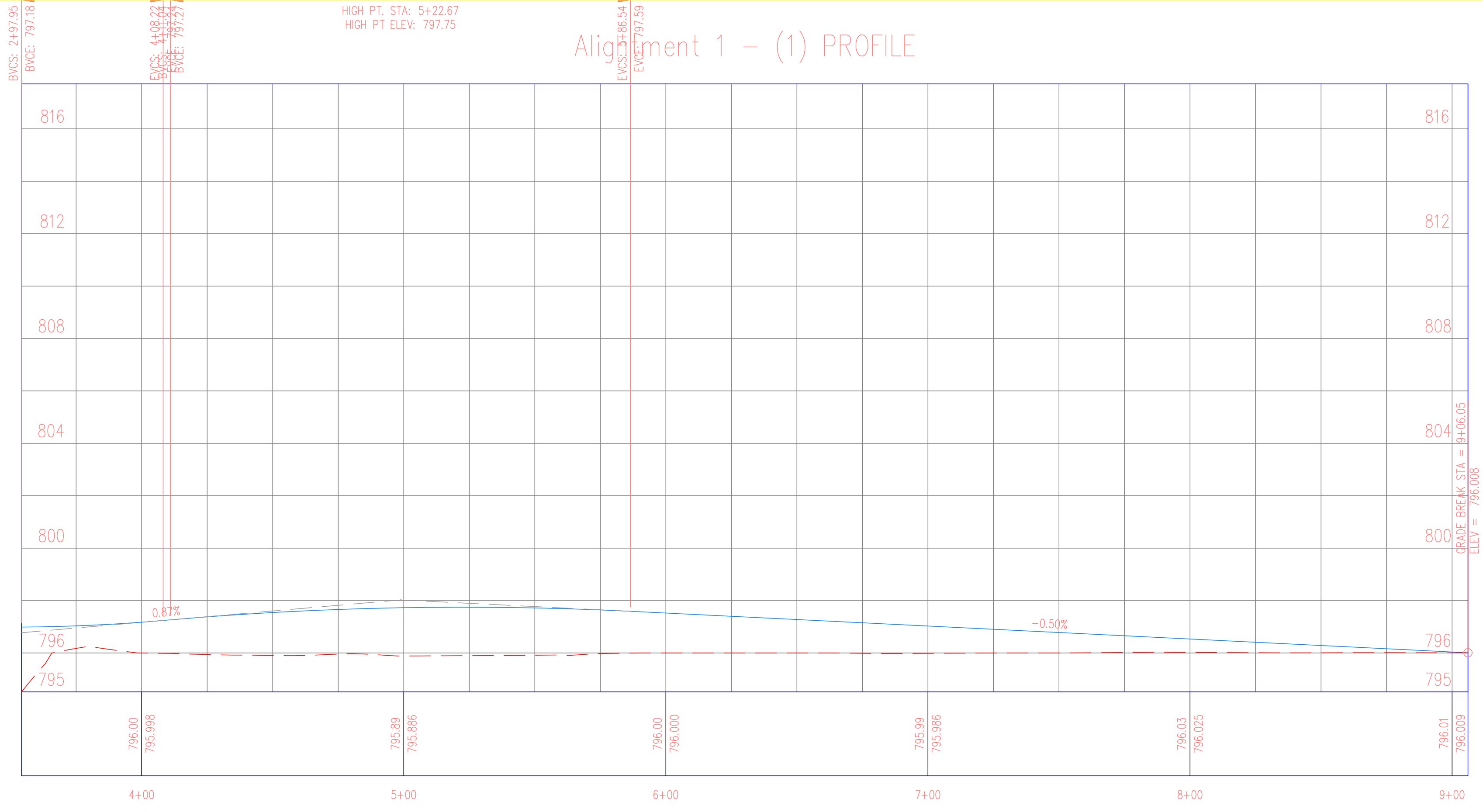


EDUCATIONAL - NOT FOR CONSTRUCTION

Volga Pedestrian Bridge
 Volga, IA

SHEET NAME
 Plan/Profile Sheets

SHEET NO.
C.1



PROJECT: CEE: 4850
 DATE: 05/08/2020
 DRAWN BY: RCK
 REVISION:

THE UNIVERSITY OF IOWA
CIVIL AND ENVIRONMENTAL ENGINEERING
 4105 SEAMANS CENTER FOR THE
 ENGINEERING ARTS AND SCIENCES
 103 S CAPITOL ST
 IOWA CITY, IOWA 52242
 PHONE: 319.335.5647
 FAX: 319.335.5660
 EMAIL: civil-hawks@iowa.edu



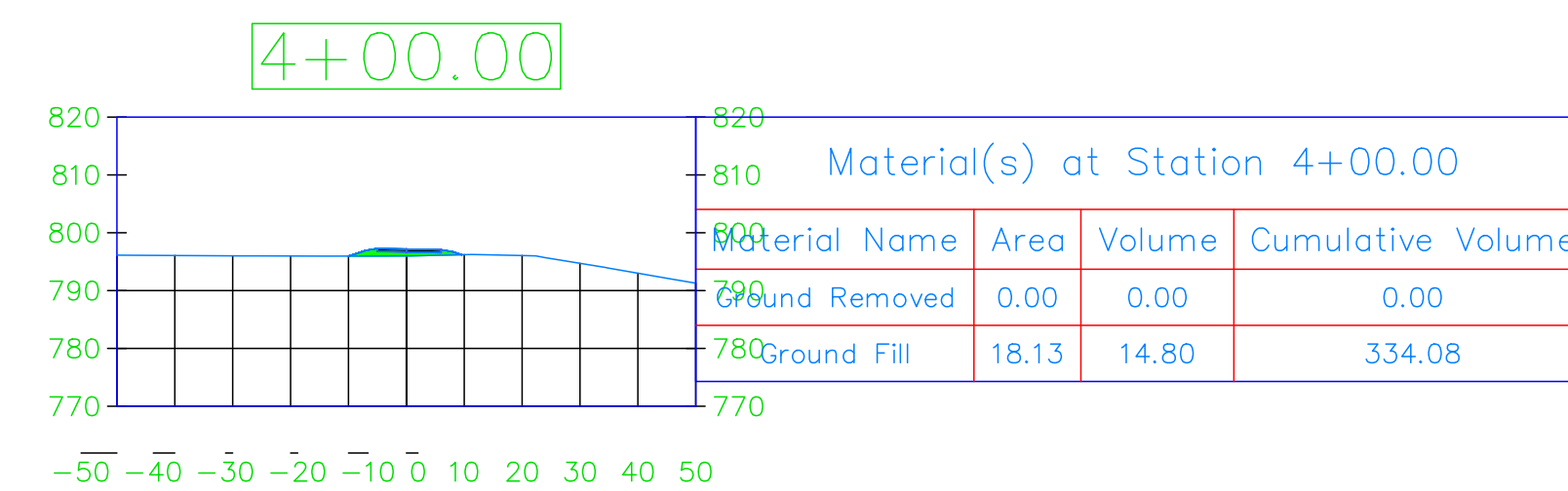
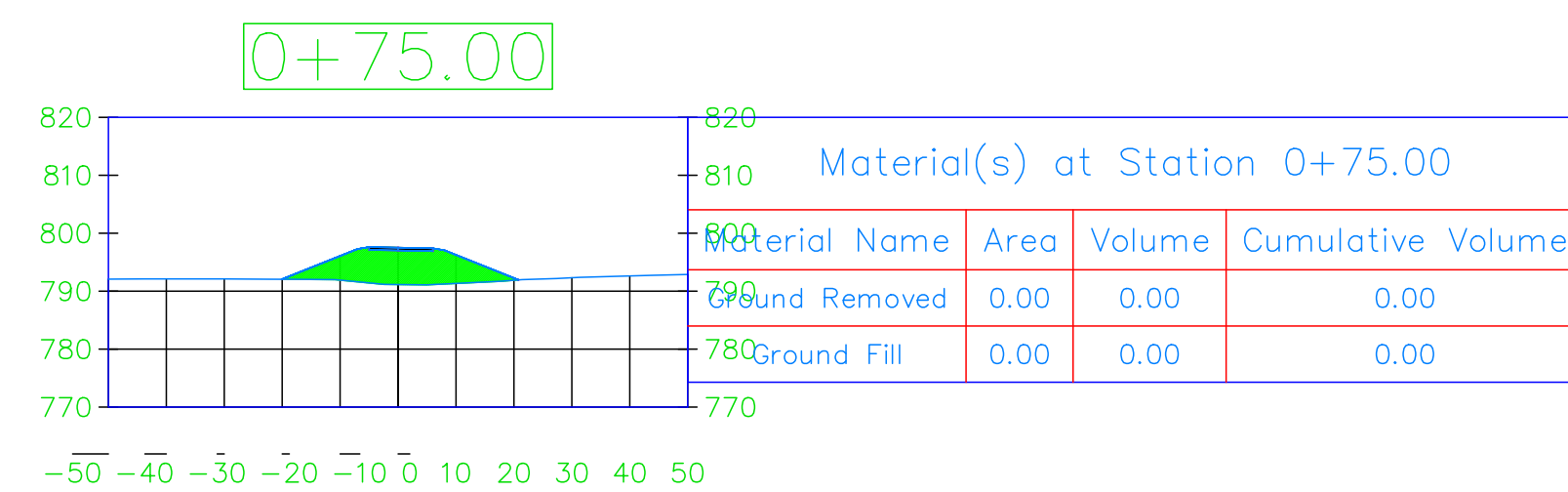
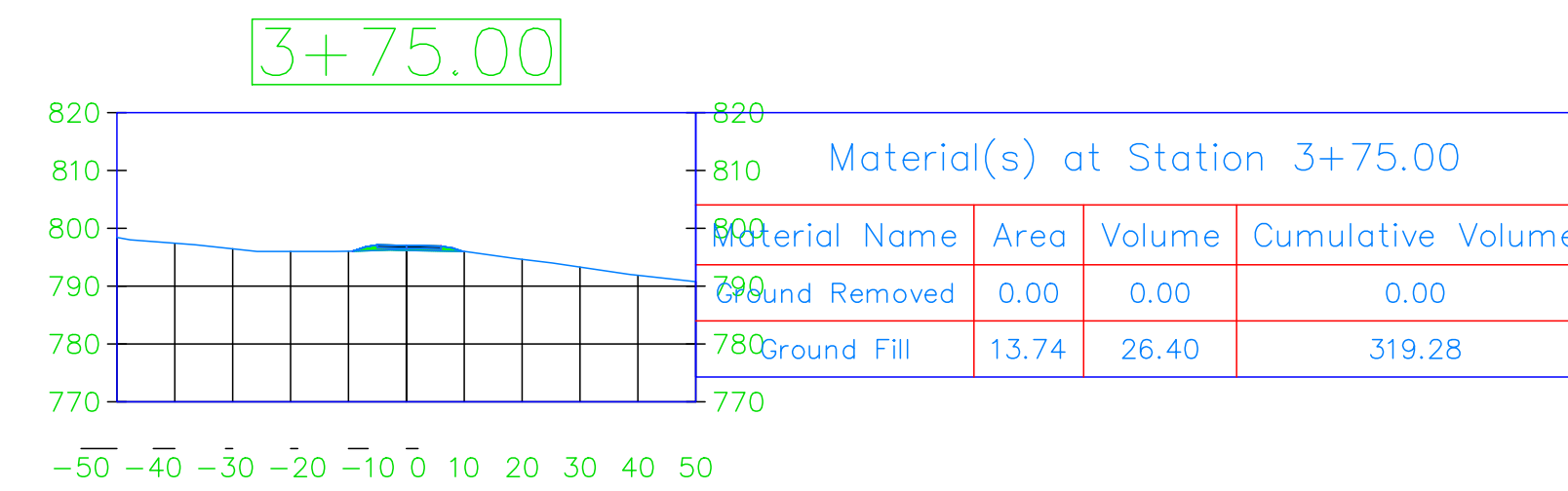
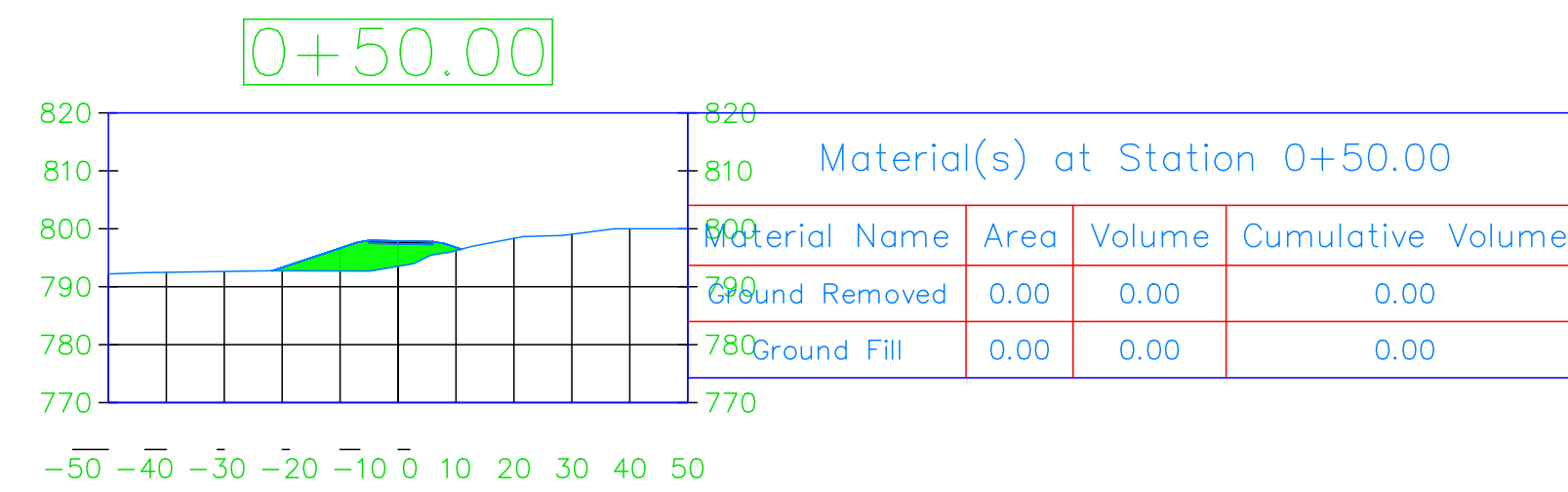
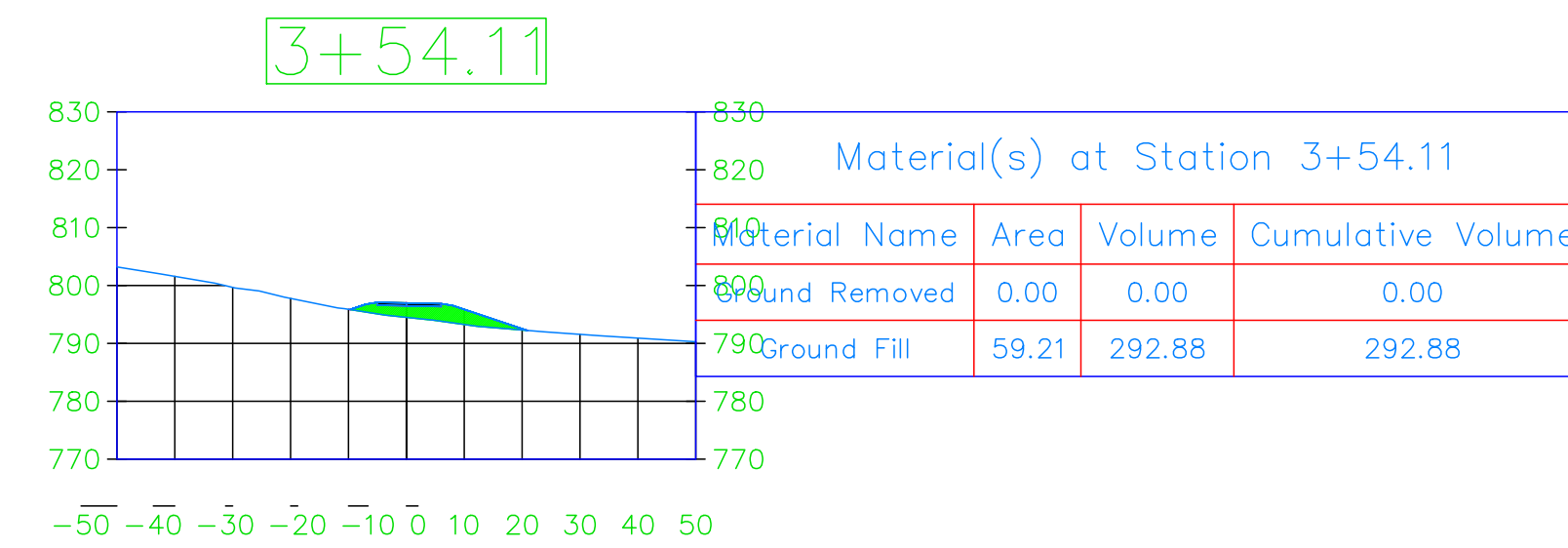
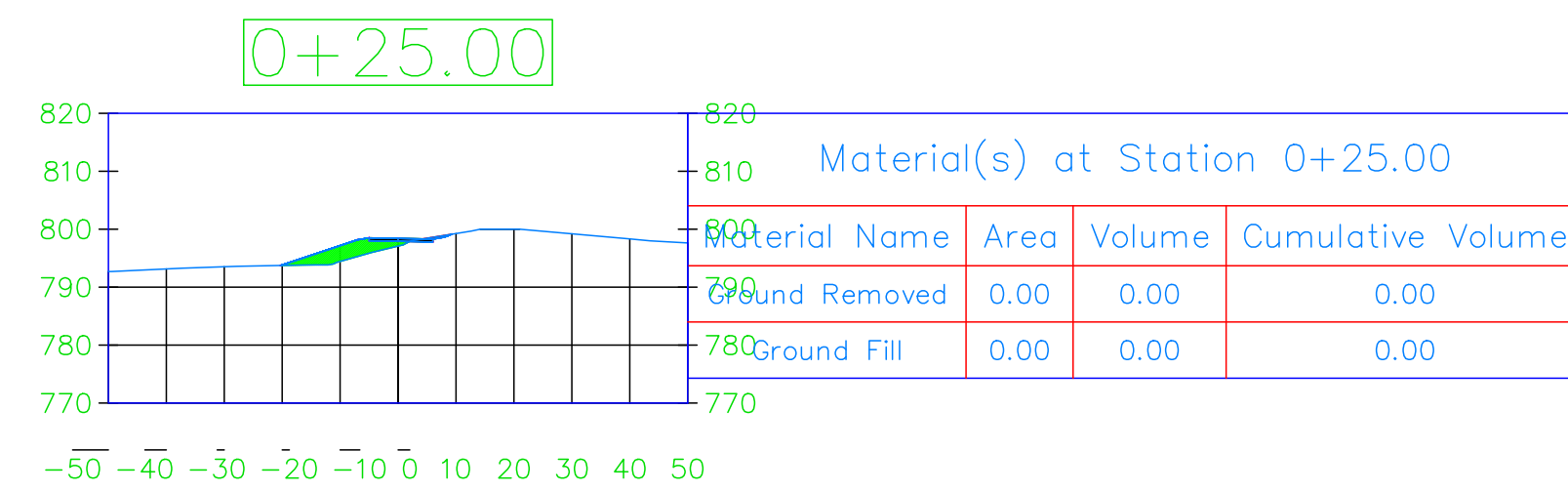
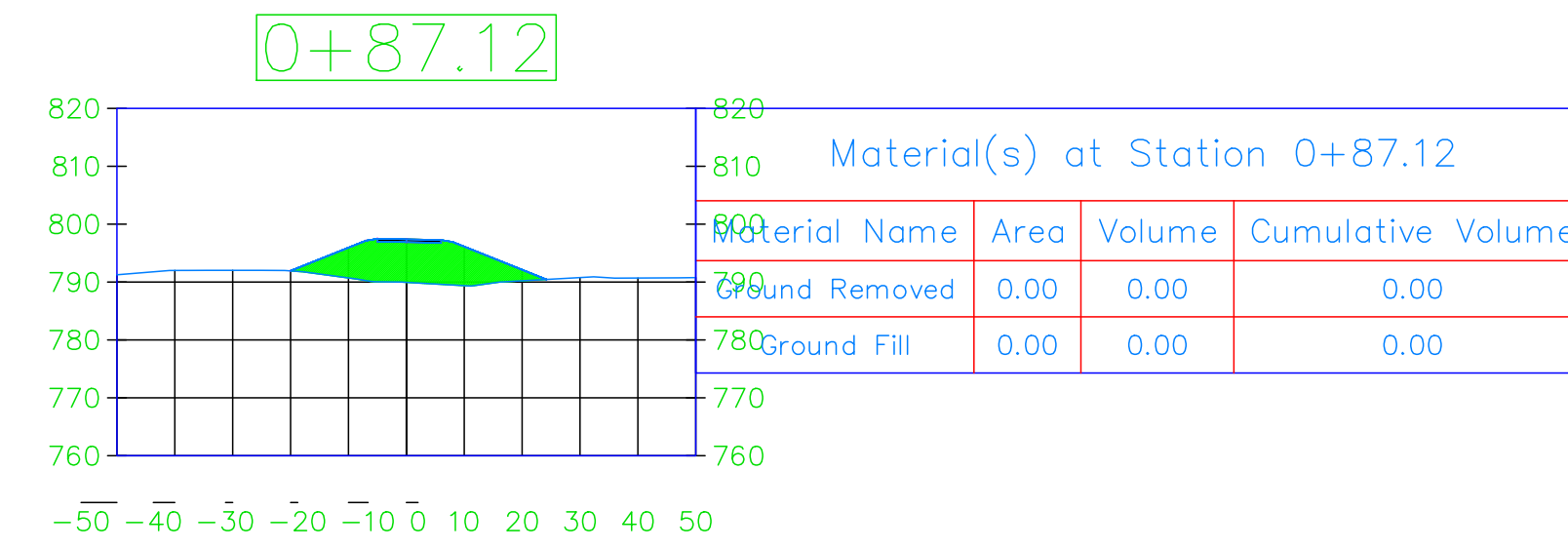
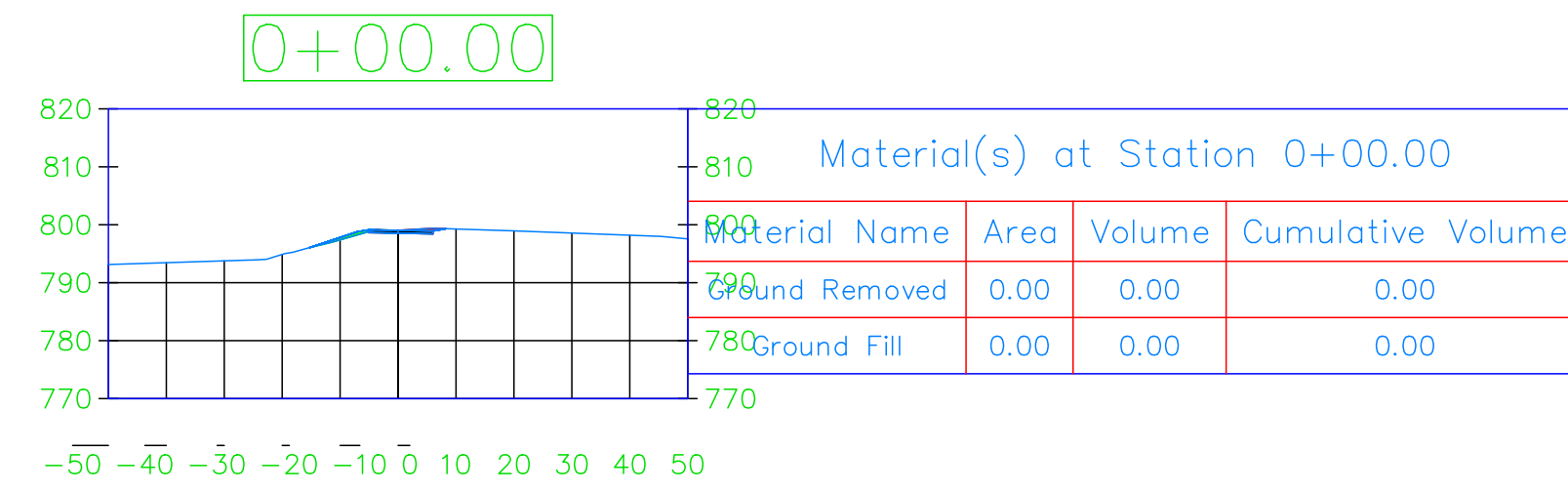
EDUCATIONAL - NOT FOR CONSTRUCTION

Volga Pedestrian Bridge

Volga, IA

SHEET NAME
Plan/Profile Sheets

SHEET NO.
C.2



PROJECT: CEE: 4850
 DATE: 05/08/2020
 DRAWN BY: RCK
 REVISION:

THE UNIVERSITY OF IOWA
 CIVIL AND ENVIRONMENTAL ENGINEERING
 4105 SEAMANS CENTER FOR THE
 ENGINEERING ARTS AND SCIENCES
 103 S CAPITOL ST
 IOWA CITY, IOWA 52242
 PHONE: 319.335.5647
 FAX: 319.335.5660
 EMAIL: civil-hawks@iowa.edu

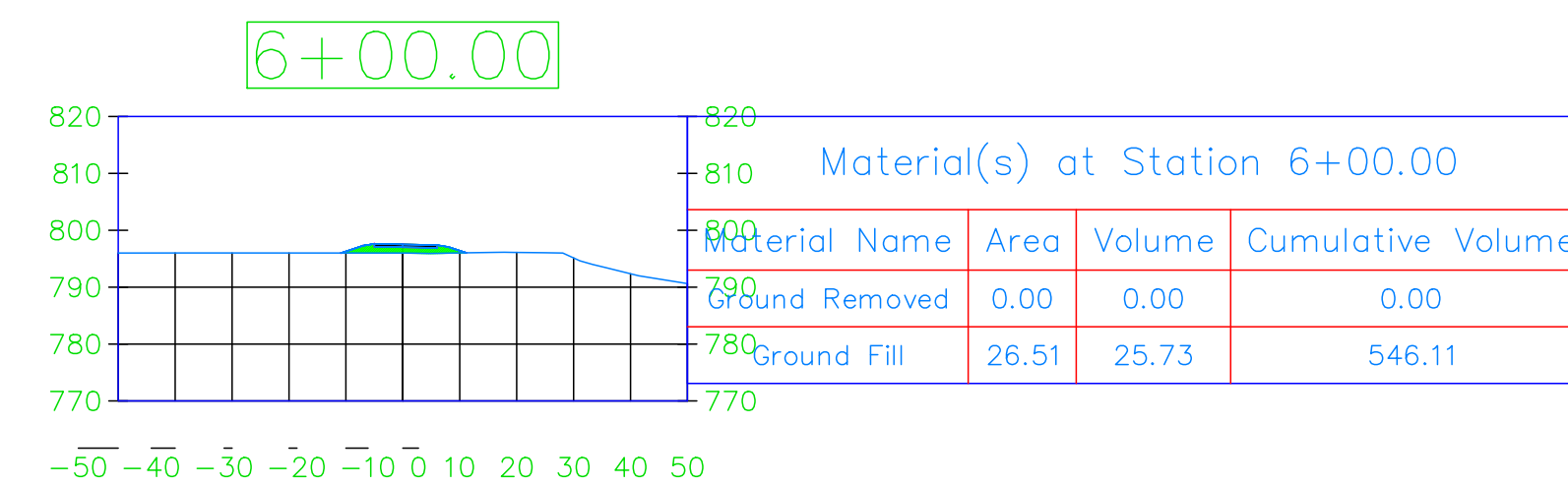
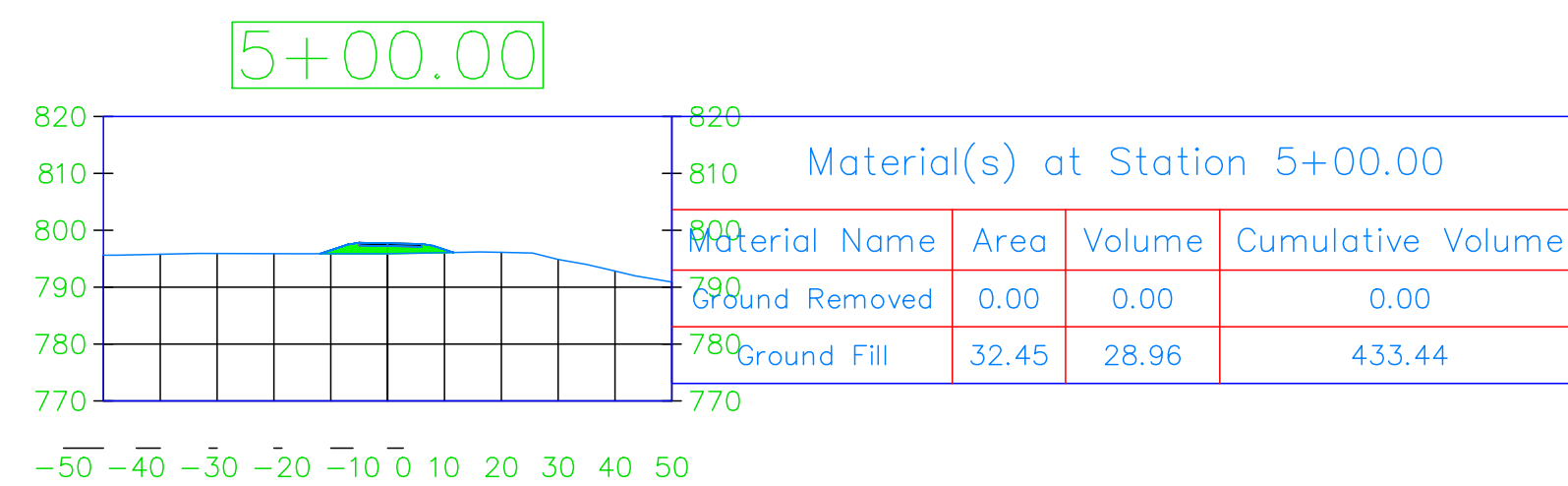
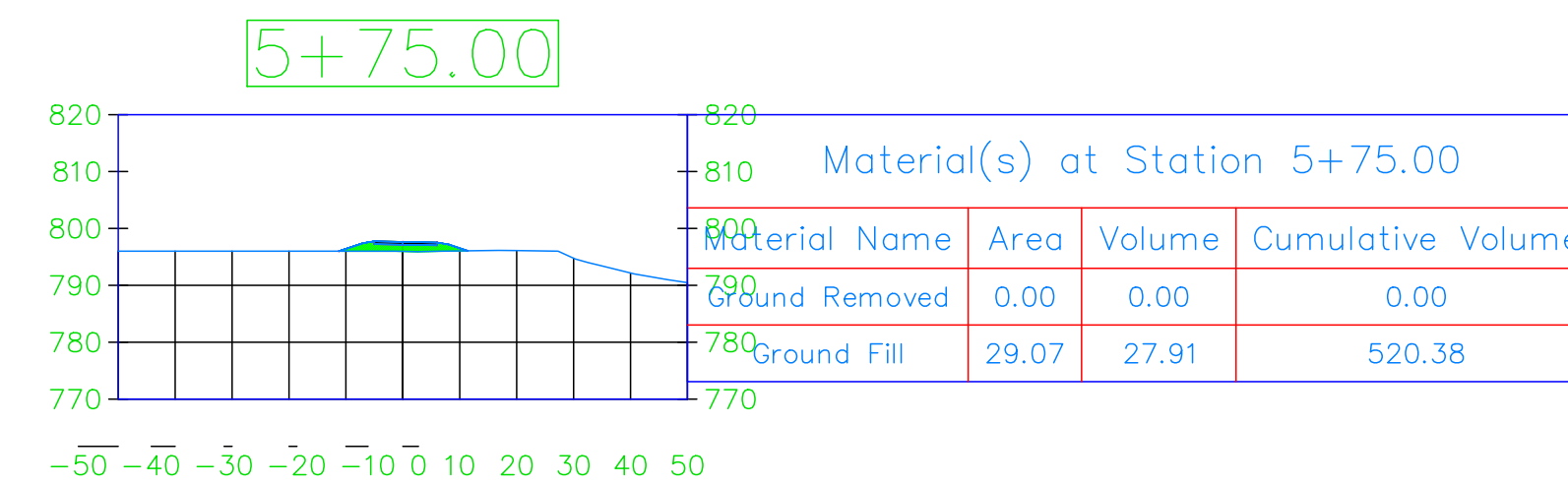
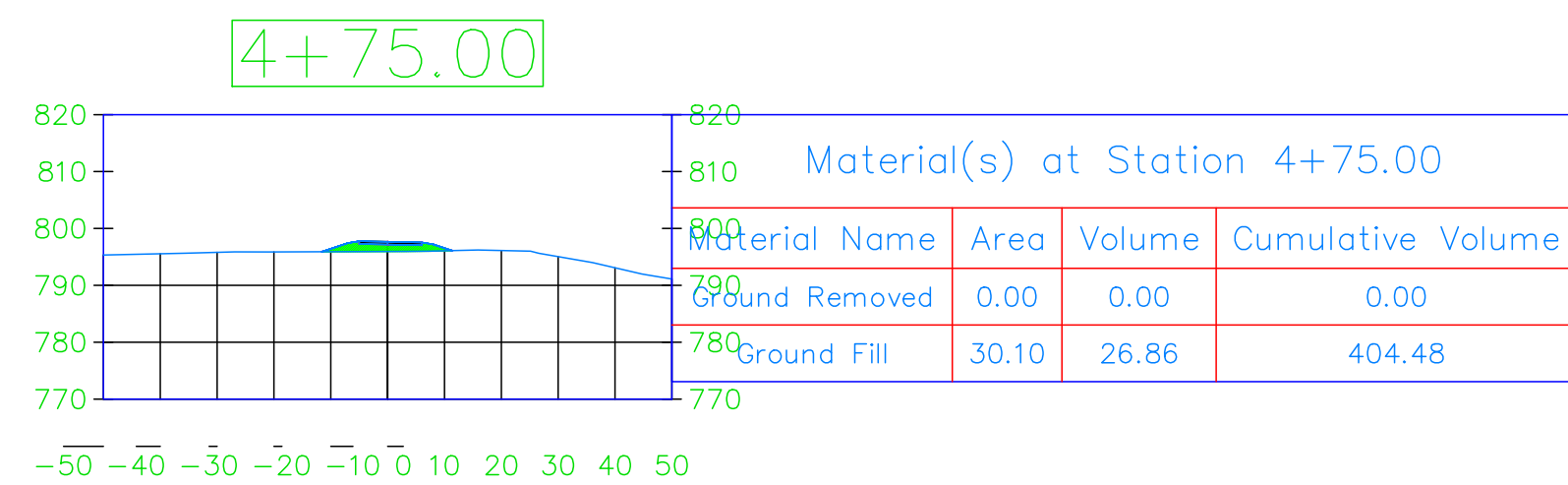
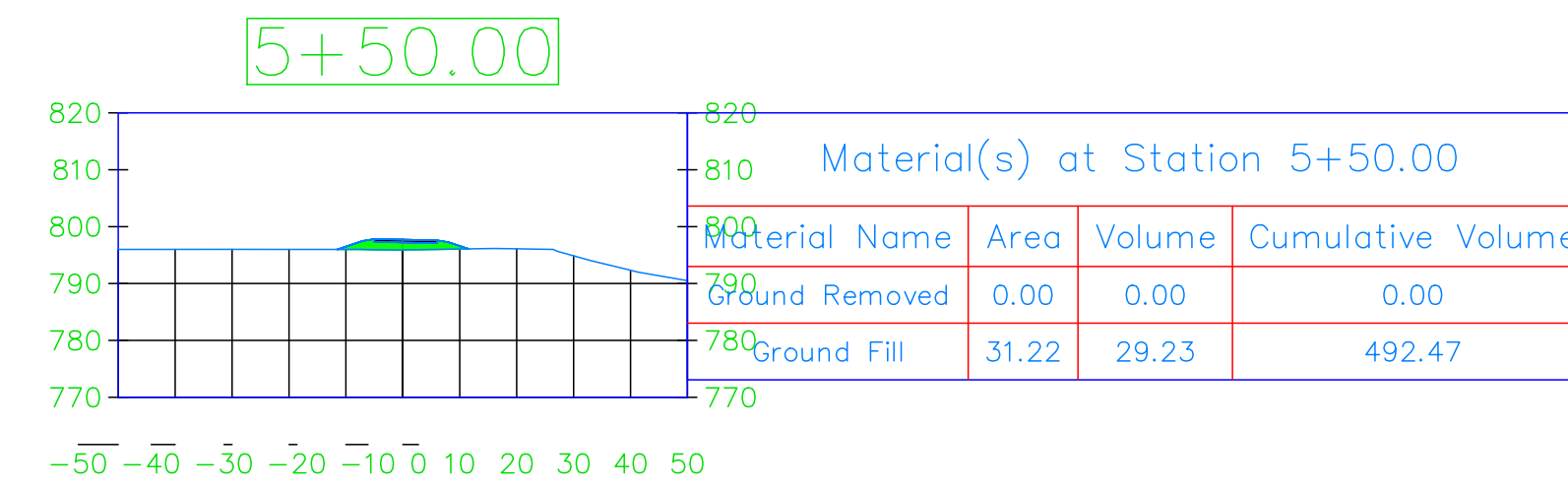
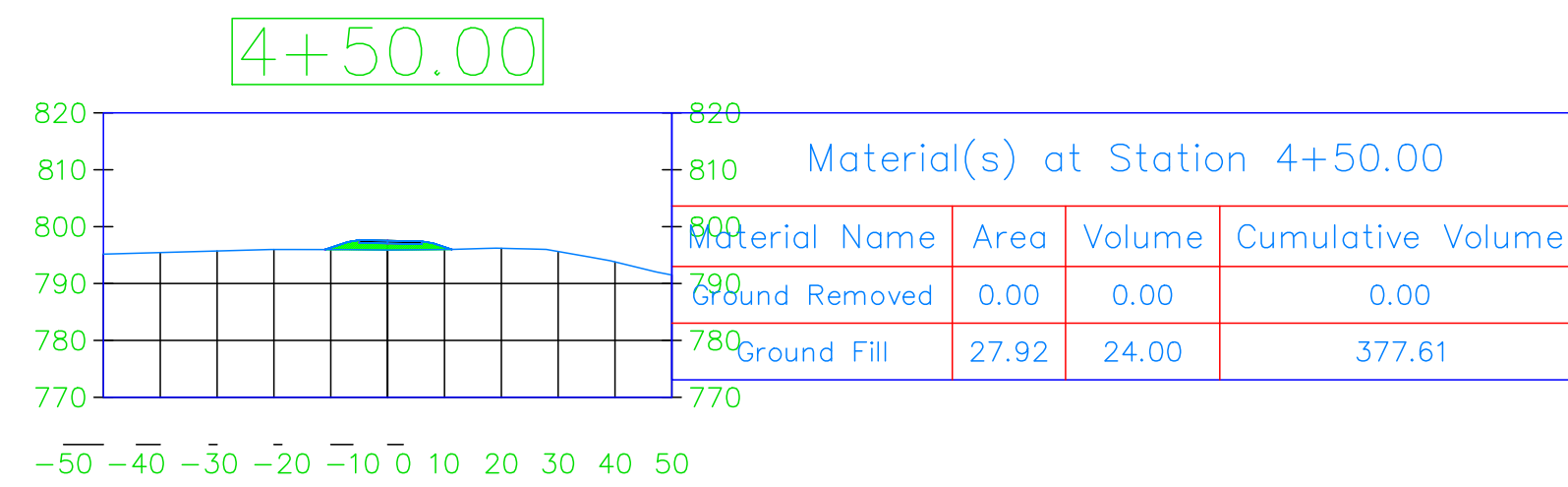
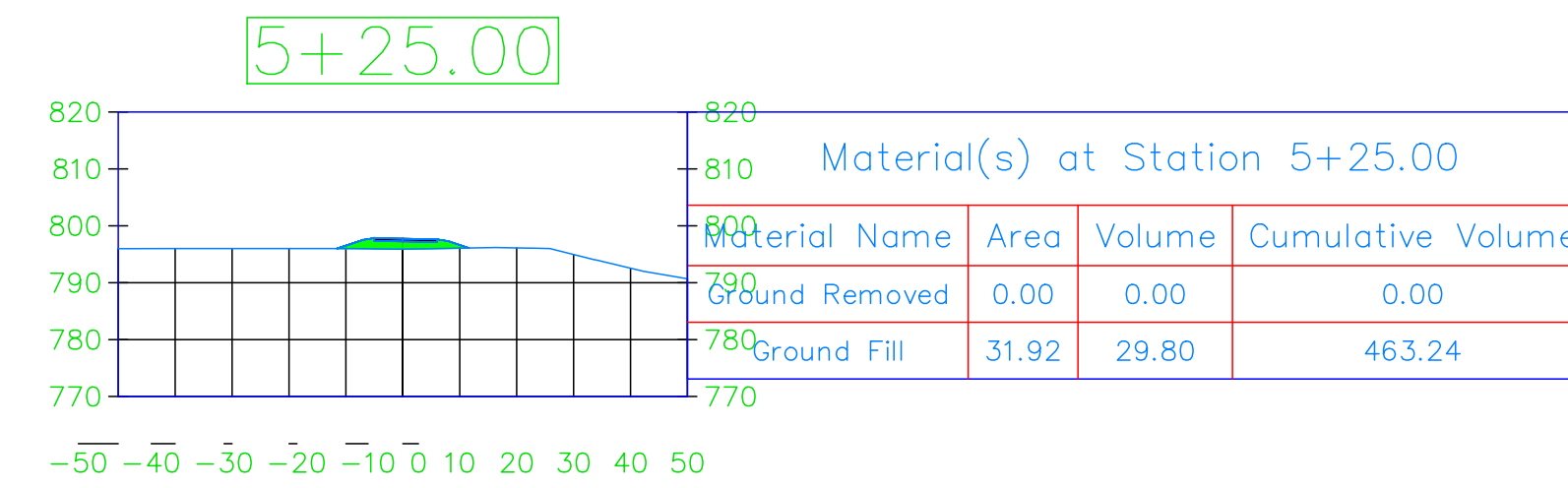
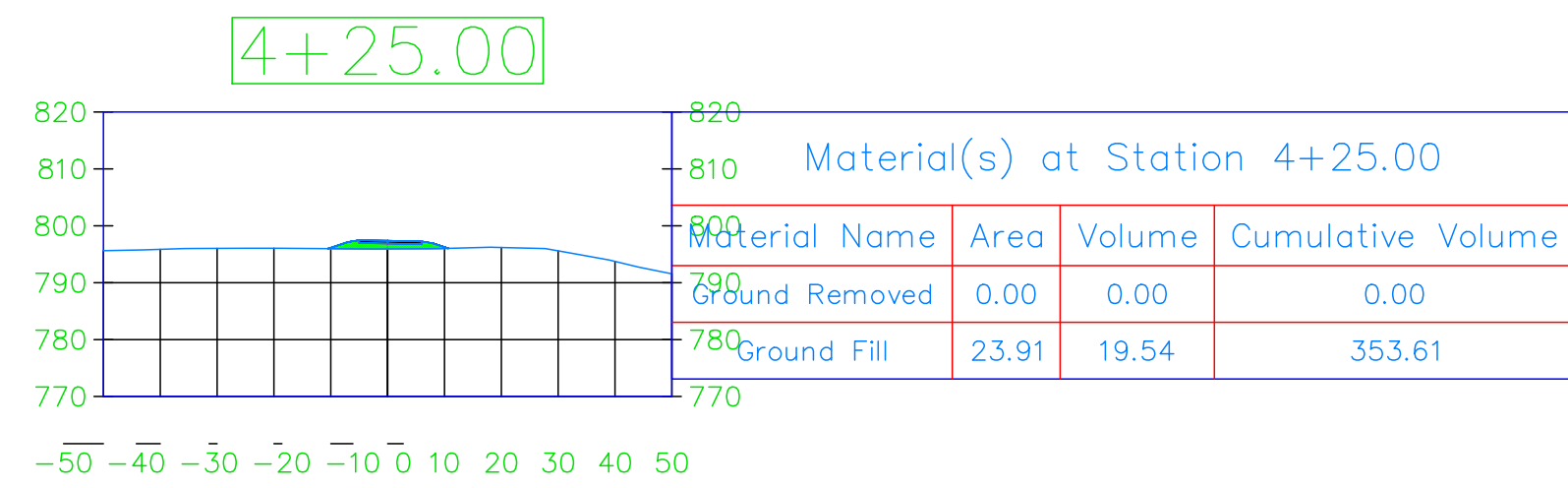


EDUCATIONAL - NOT FOR CONSTRUCTION

Volga Pedestrian Bridge
 Volga, IA

SHEET NAME
 Cross Sections

SHEET NO.
 D.1



PROJECT: CEE: 4850

DATE: 05/08/2020

DRAWN BY: RCK

REVISION:

THE UNIVERSITY OF IOWA
CIVIL AND ENVIRONMENTAL ENGINEERING

4105 SEAMANS CENTER FOR THE
ENGINEERING ARTS AND SCIENCES
103 S CAPITOL ST
IOWA CITY, IOWA 52242
PHONE: 319.335.5647
FAX: 319.335.5660
EMAIL: civil-hawks@iowa.edu



EDUCATIONAL - NOT FOR CONSTRUCTION

Volga Pedestrian Bridge

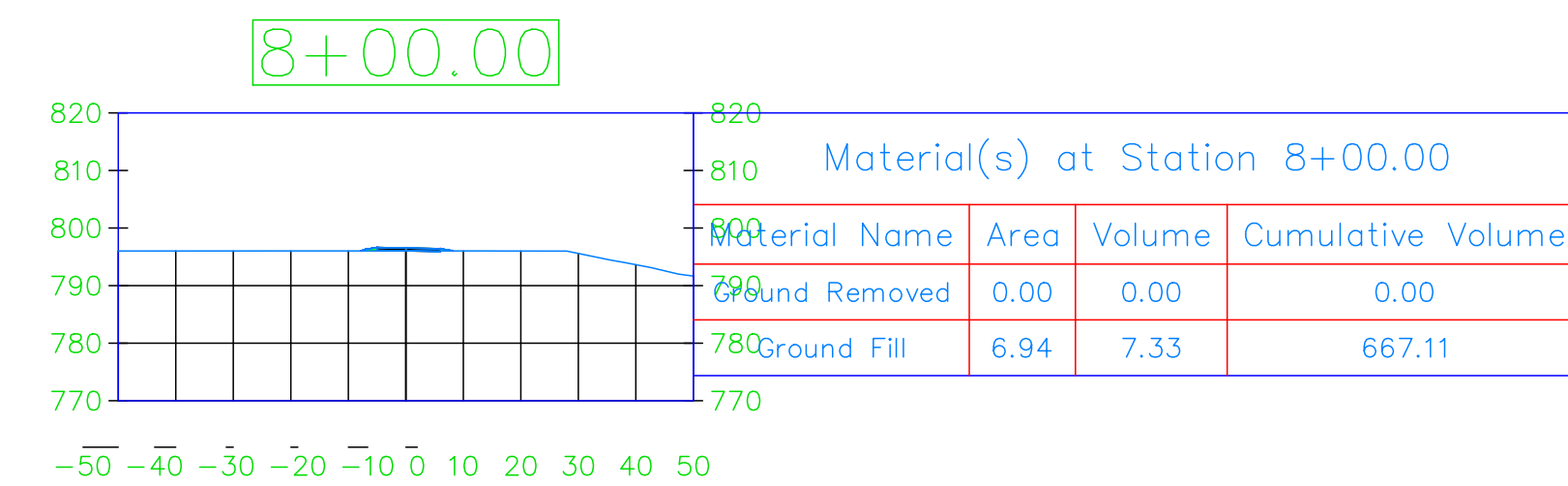
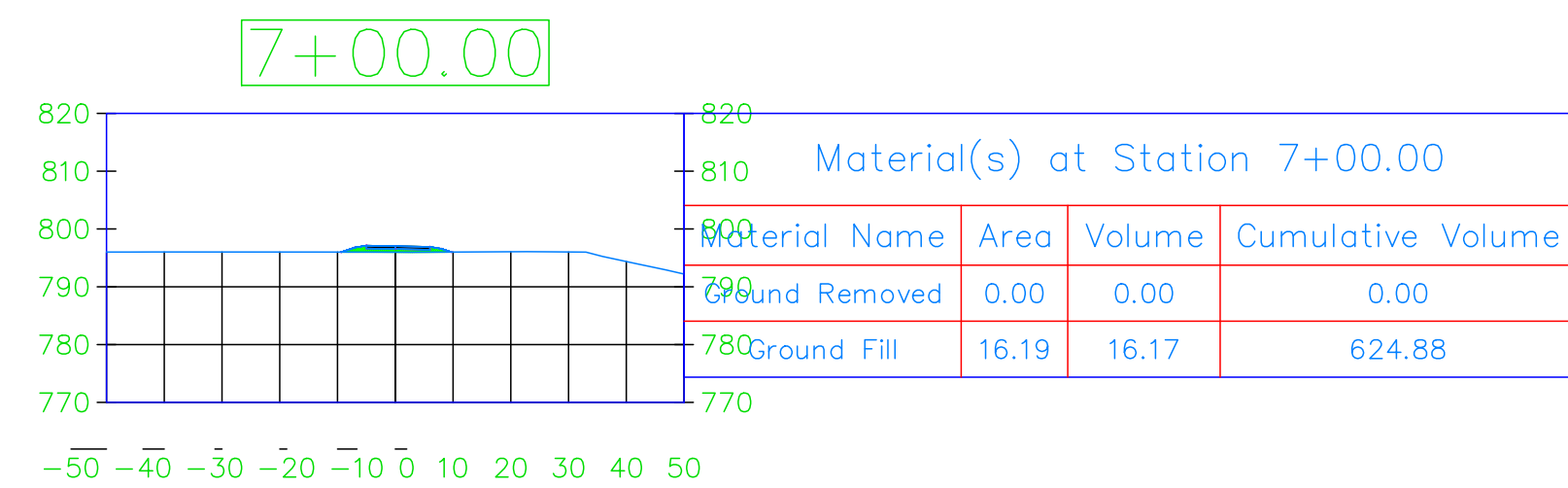
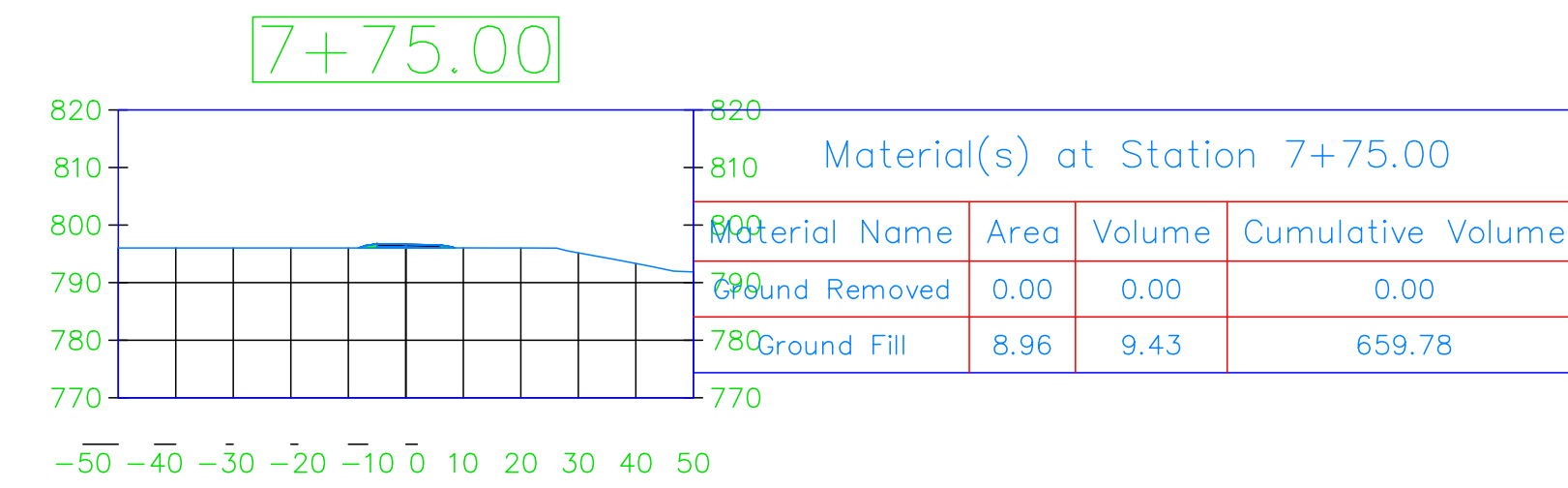
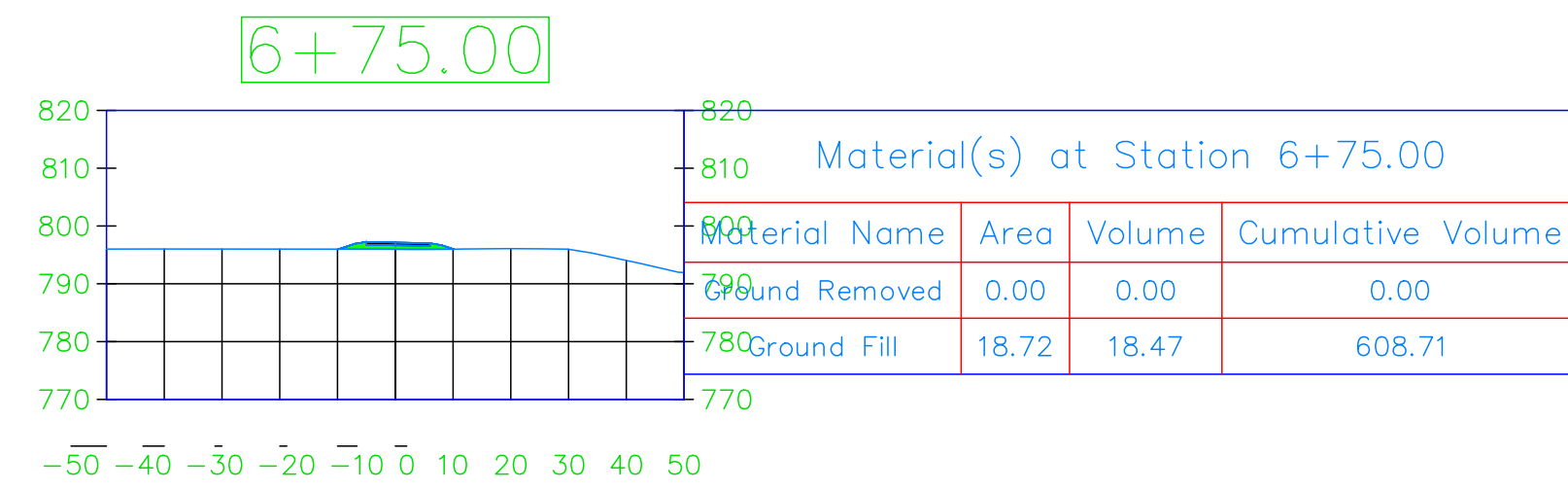
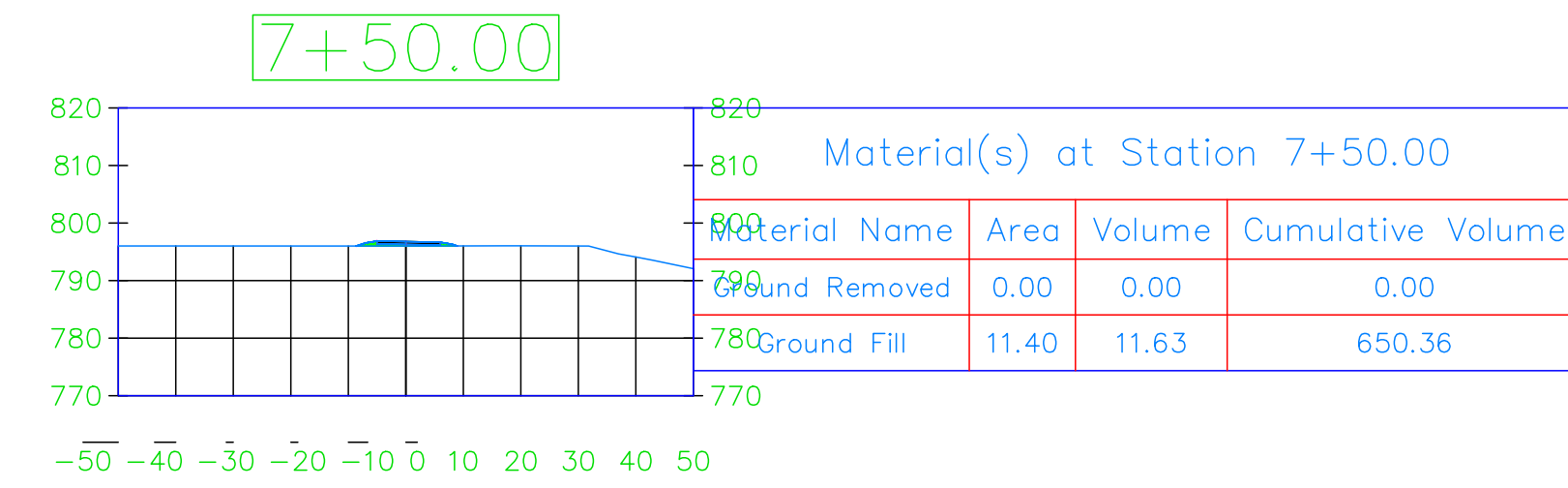
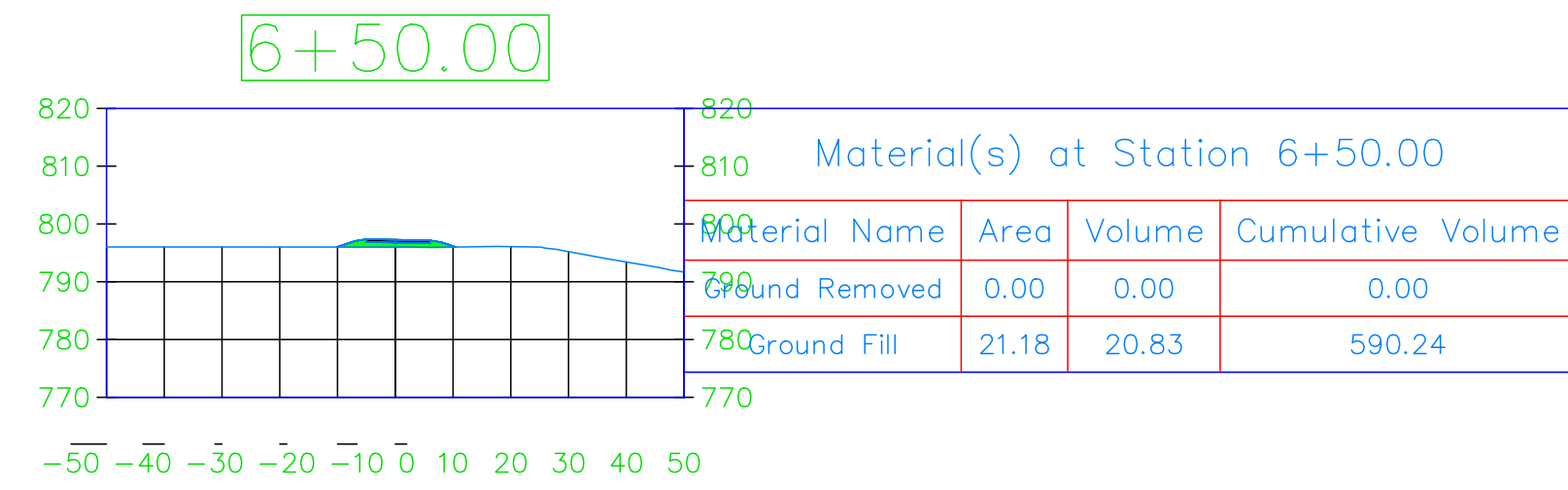
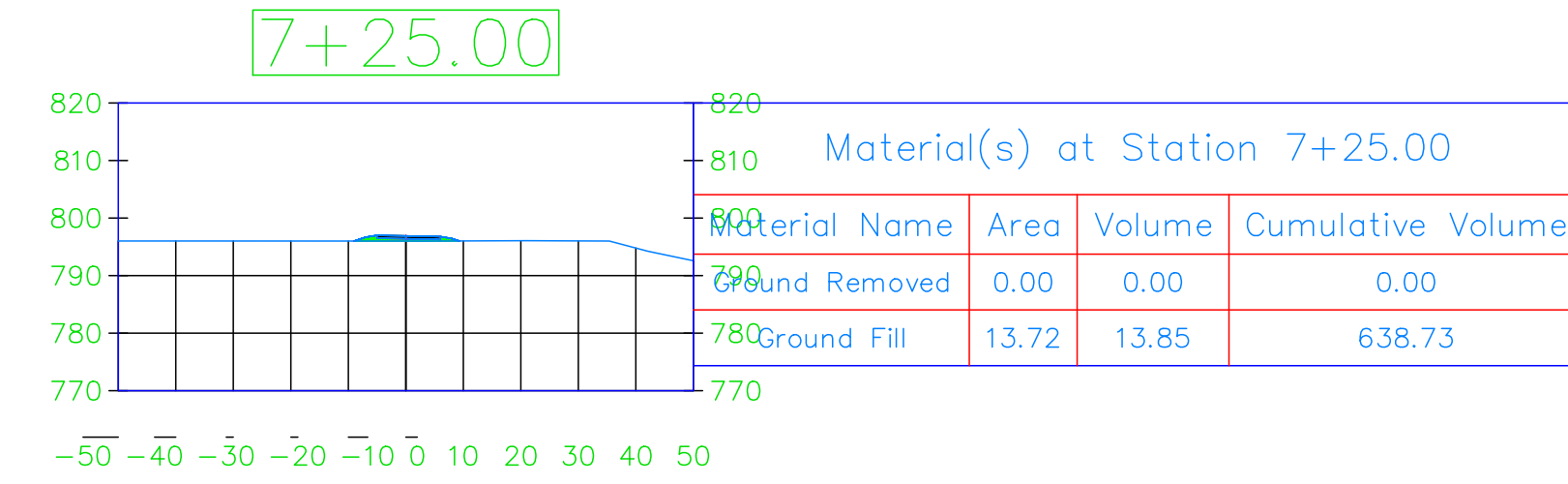
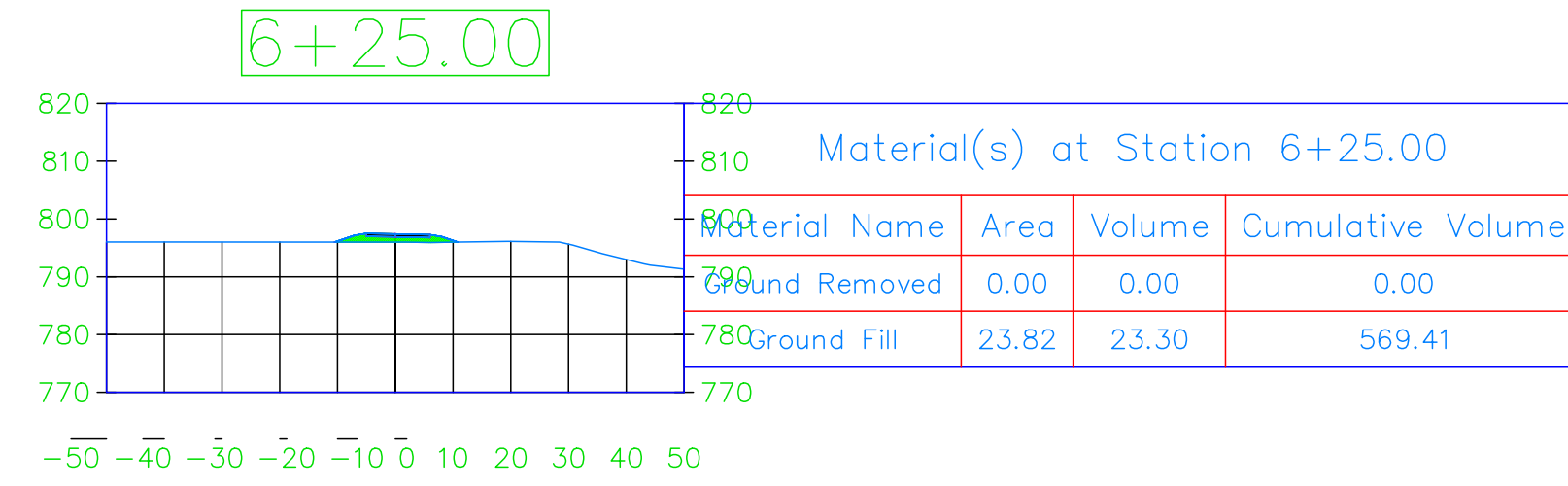
Volga, IA

SHEET NAME

Cross Sections

SHEET NO.

D.2



PROJECT: CEE: 4850
 DATE: 05/08/2020
 DRAWN BY: RCK
 REVISION:

THE UNIVERSITY OF IOWA
 CIVIL AND ENVIRONMENTAL ENGINEERING
 4105 SEAMANS CENTER FOR THE
 ENGINEERING ARTS AND SCIENCES
 103 S CAPITOL ST
 IOWA CITY, IOWA 52242
 PHONE: 319.335.5647
 FAX: 319.335.5660
 EMAIL: civil-hawks@iowa.edu



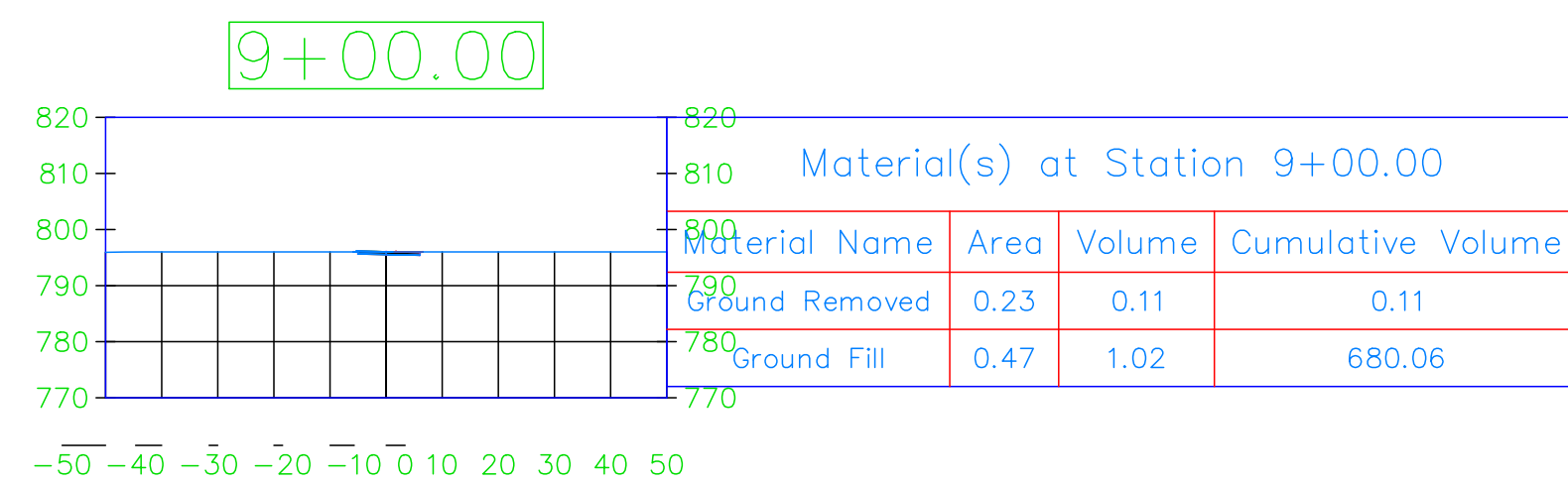
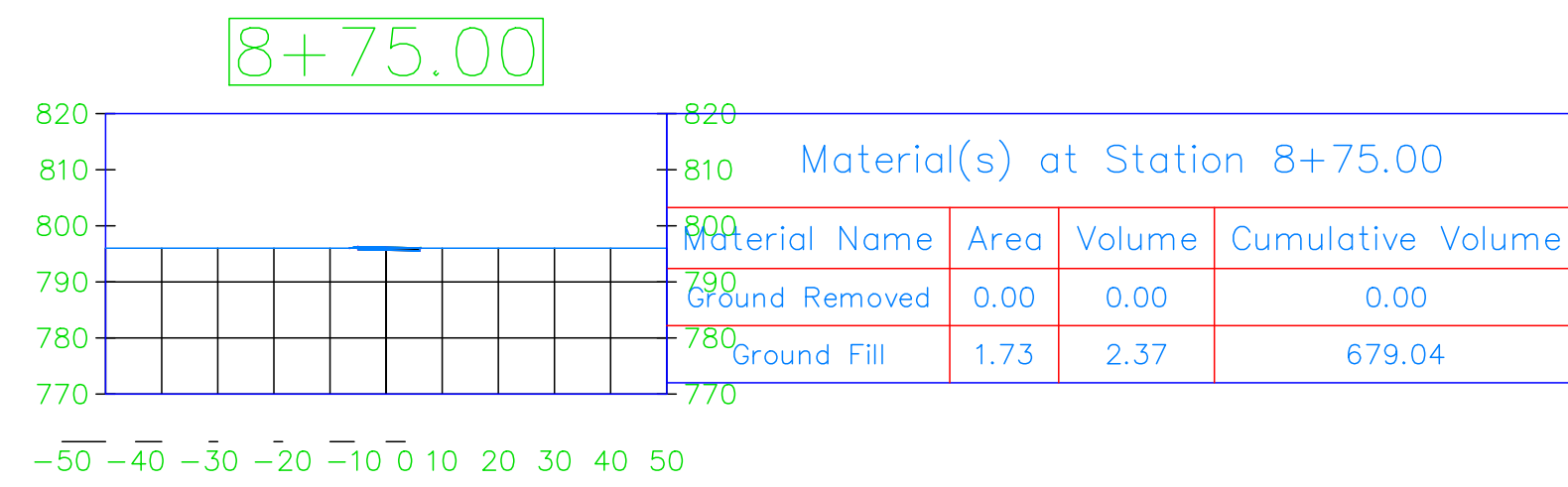
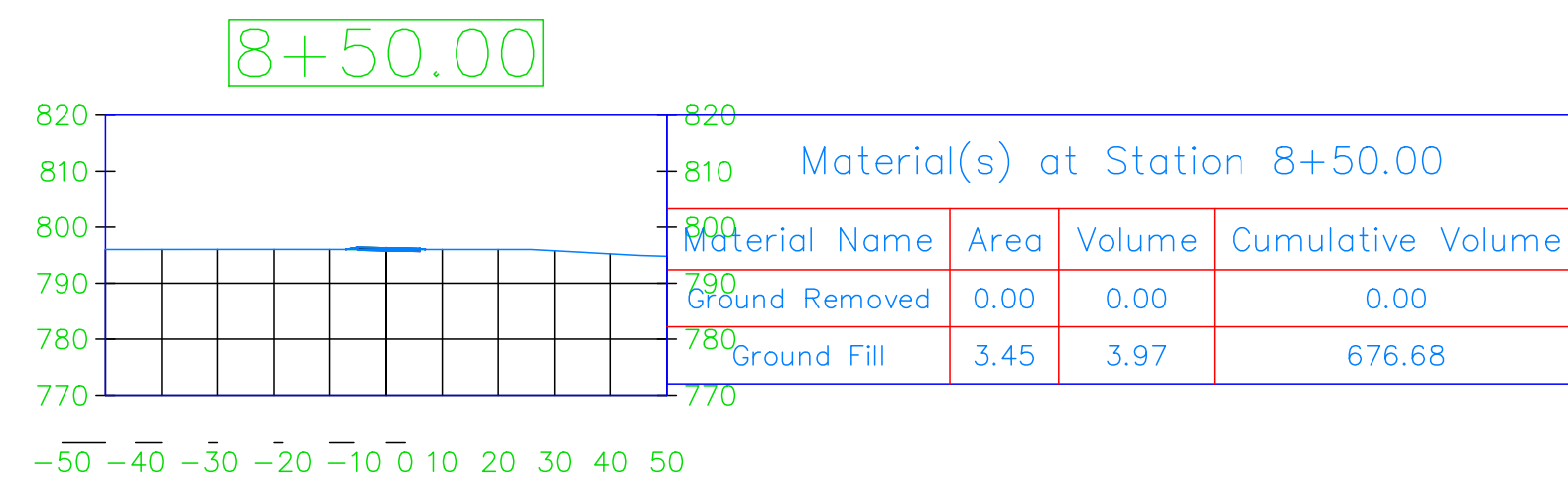
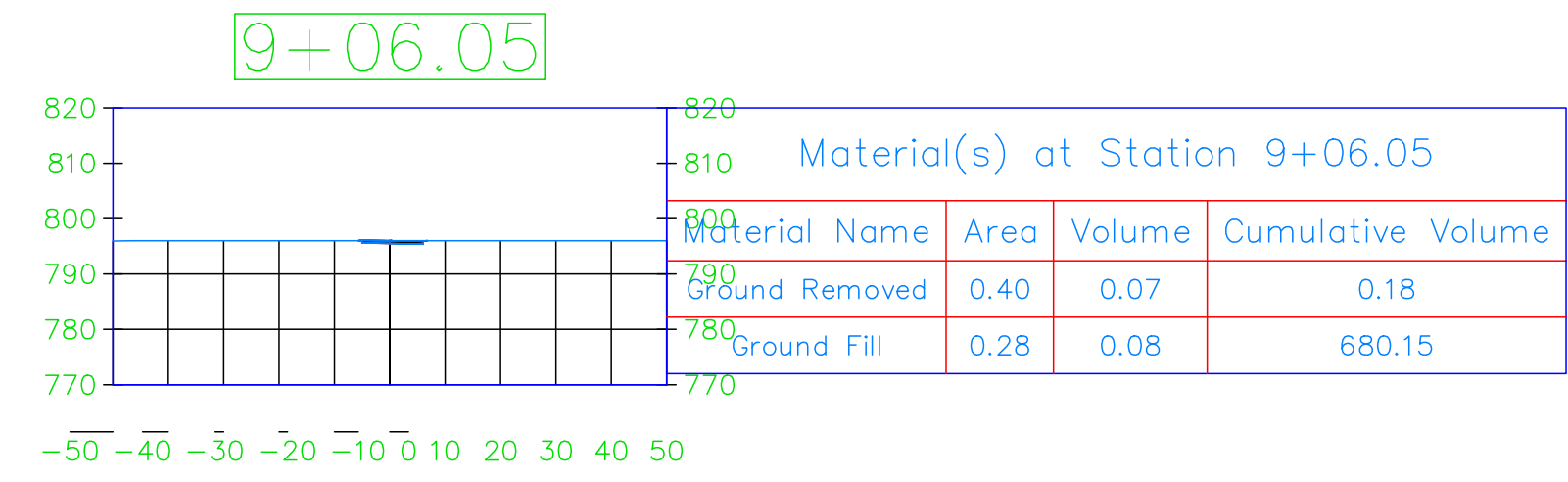
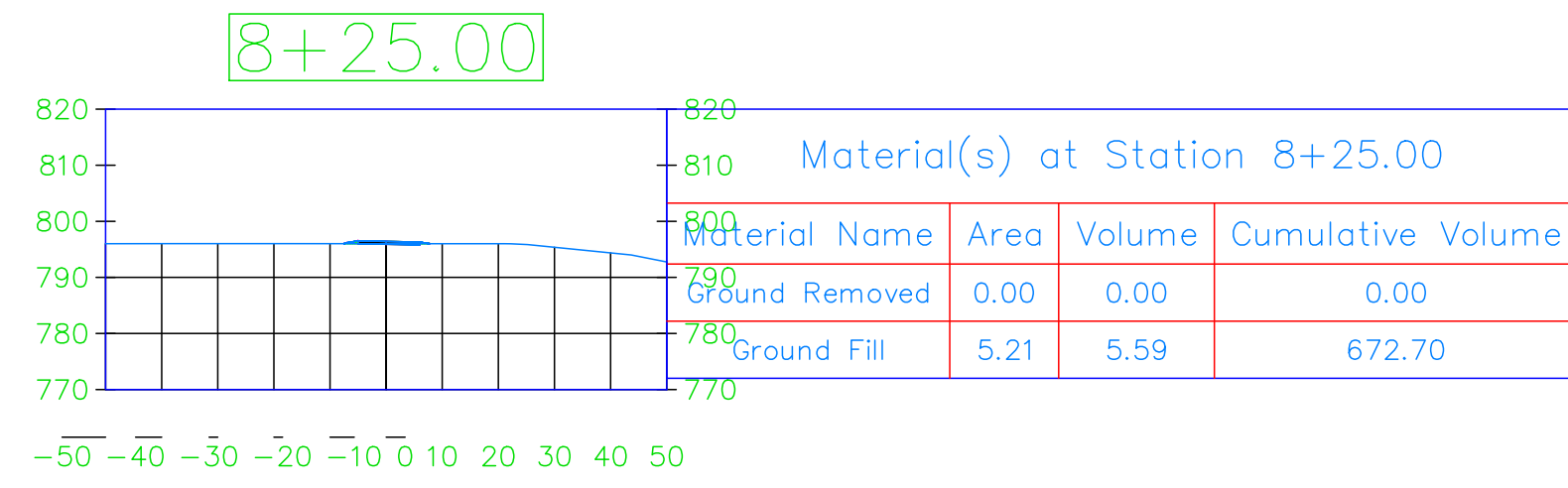
EDUCATIONAL - NOT FOR CONSTRUCTION

Volga Pedestrian Bridge

Volga, IA

SHEET NAME
 Cross Sections

SHEET NO.
D.3



PROJECT: CEE: 4850
 DATE: 05/08/2020
 DRAWN BY: RCK
 REVISION:

THE UNIVERSITY OF IOWA
CIVIL AND ENVIRONMENTAL ENGINEERING
 4105 SEAMANS CENTER FOR THE
 ENGINEERING ARTS AND SCIENCES
 103 S CAPITOL ST
 IOWA CITY, IOWA 52242
 PHONE: 319.335.5647
 FAX: 319.335.5660
 EMAIL: civil-hawks@iowa.edu



EDUCATIONAL - NOT FOR CONSTRUCTION

Volga Pedestrian Bridge

Volga, IA

SHEET NAME
 Cross Sections

SHEET NO.
D.4